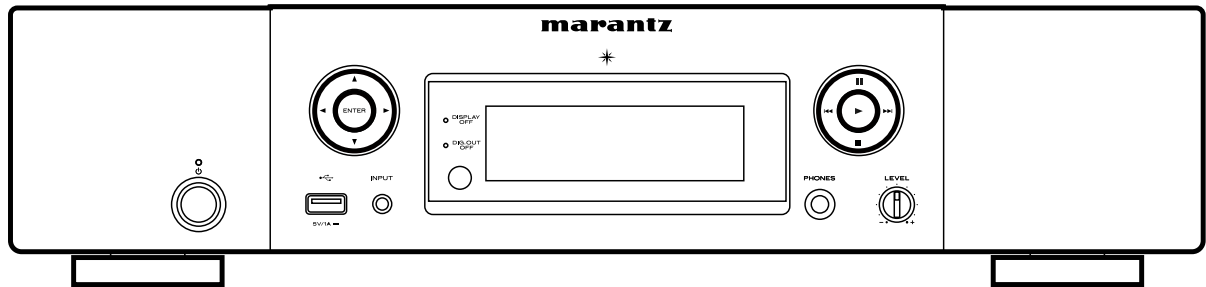


Service Manual

NA6005 /N1B, N1SG, U1B, K1B, FN

Network Audio Player



• For purposes of improvement, specifications and design are subject to change without notice.

• Please use this service manual with referring to the operating instructions without fail.

• Some illustrations using in this service manual are slightly different from the actual set.

marantz®

NA6005

Ver. 4

Please refer to the
MODIFICATION NOTICE.

Contents

ABOUT THIS MANUAL	3
What you can do with this manual	3
Using Adobe Reader (Windows version)	4
SAFETY PRECAUTIONS	6
NOTE FOR SCHEMATIC DIAGRAM	7
NOTE FOR PARTS LIST	7
INSTRUCTIONS FOR HANDLING SEMI-CONDUCTORS AND OPTICAL UNIT	7
1. Ground for Human Body	7
2. Ground for Workbench.....	7
TECHNICAL SPECIFICATIONS	9
DIMENSION	10
CAUTION IN SERVICING	11
Updating this unit	11
Initializing this unit (Initialization for the factory)	11
DISASSEMBLY	12
SPECIAL MODE	18
Special mode setting button.....	18
1. Initialization for the factory mode	19
2. Owner's Manual described initialization mode (User Reset).....	19
3. Version check.....	20
4. Product Mode 1.....	21
5. Product Mode 2.....	21
6. Protection history display mode	22
7. "DPMS" force update mode	23
8. "232C" force update mode	24
9. MAC Address rewrite mode	24
10. Access to development server mode	24
11. USB update mode.....	24
12. "USB" force update mode	24
13. 920 rewrite mode	24
14. Factory rewrite mode	24
PROCEDURE AFTER REPLACING THE MICROPROCESSOR, ETC	25
Firmware Update Procedure	26
1. Updating by DPMS.....	26
Firmware Update Procedure	27
2. Updating by USB.....	27
3. "USB" force update mode	29
TROUBLE SHOOTING	31
1. OLED dosen't light	31
2. Cannot connect to network. / Cannot connect to Bluetooth.....	32
2.1. First Setup dosen't operate normally, Ethernet doesn't playback, Bluetooth doesnot.....	32
2.2. Cannot connect to network	33
3.1. Optical Output	34
3.2. USB doesn't playback	35
3.3. Check the Audio Block	36
MEASURING METHOD AND WAVEFORMS	37
BLOCK DIAGRAM	39
POWER DIAGRAM	40
WIRING DIAGRAM	41
PRINTED CIRCUIT BOARDS	42
PHONE	44
SCHEMATIC DIAGRAMS (1/7)	45
SC01_MAIN	45
SC02_NETWORK.....	46
SC03_AUDIO.....	47
SC04_FRONT.....	48
SC05_DIR_DAC	49
SC06_MAIN_POWER.....	50
SC07_SMPS.....	51
EXPLODED VIEW	52
PACKING VIEW	53
SEMICONDUCTORS	54
1. IC's	54
2. DISPLAY	59

ABOUT THIS MANUAL

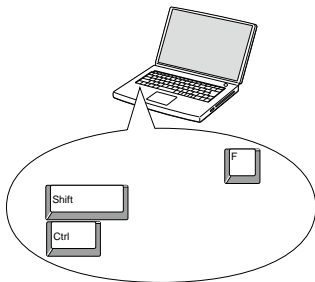
Read the following information before using the service manual.

What you can do with this manual

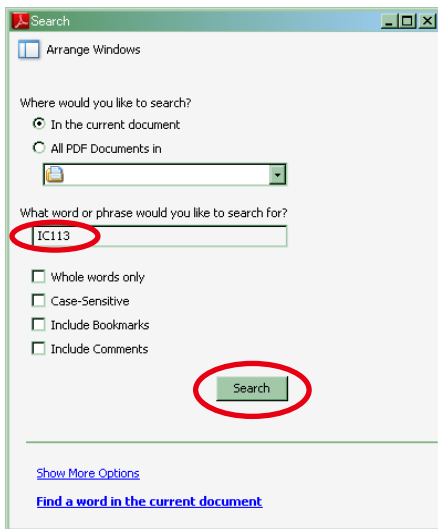
Search for a Ref. No. (phrase) (Ctrl+Shift+F)

You can use the search function in Acrobat Reader to search for a Ref. No. in schematic diagrams, block diagrams, and parts lists.

1. Press **Ctrl+Shift+F** on the keyboard.
- The Search window appears.



2. Enter the Ref. No. you want to search for in the Search window, and then click the **Search** button.
- A list of search results appears.

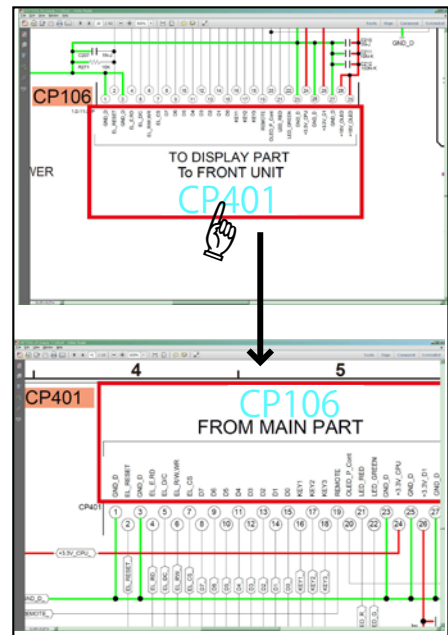


3. Click an item on the list.
- The screen jumps to the page for that item, and the search phrase is displayed.

Jump to the target of a schematic diagram connector

Click the Ref. No. of the target connector in the red box around a schematic diagram connector.

- The screen jumps to the target connector.



- Page magnification stays the same as before the jump.

Using Adobe Reader (Windows version)

Add notes to this data (Sign)

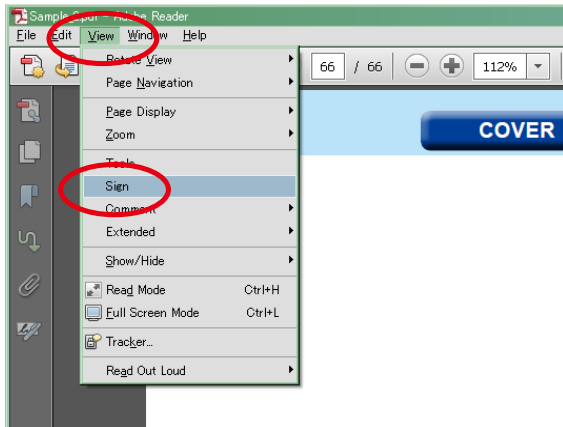
The Sign function lets you add notes to the data in this manual.

Save the file once you have finished adding notes.

[Example using Adobe Reader X]

On the "View" menu, click "Sign".

- The Sign pane appears.



[Example using Adobe Reader 9]

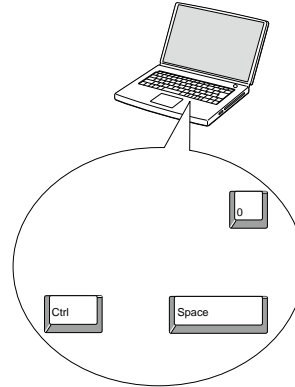
On the "Document" menu, click "Sign".

Magnify schematic / printed wiring board diagrams - 1

(Ctrl+Space, mouse operation)

Press **Ctrl+Space** on the keyboard and drag the mouse to select the area you want to view.

- The selected area is magnified.

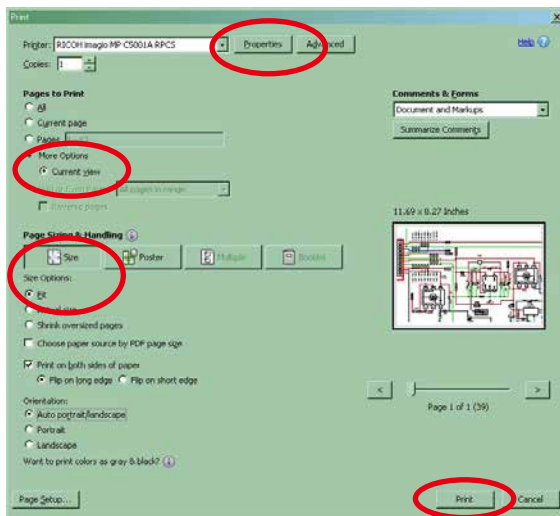


- When you want to move the area shown, hold down **Space** and drag the mouse.
- When you want to show a full page view, press **Ctrl+0** on the keyboard.

Print a magnified part of the manual

The Properties dialog box and functions will vary depending on your printer.

1. Drag the mouse to magnify the part you want to print.
2. On the "File" menu, click "Print".
3. Configure the following settings in the Print dialog box.



4. Click the **Print** button to start printing.

• Properties

Click this button and check that the printer is set to a suitable paper size.

• Page to print

Select the following checkbox.

"More Options" : "Current View"

• Page Sizing & Handling

Select the following checkbox.

"Size" / "Size Options" : "Fit"

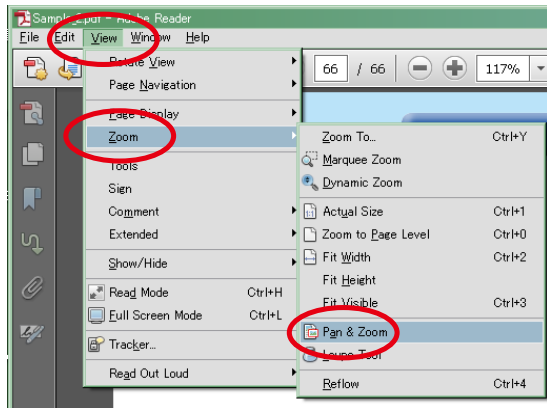
Magnify schematic / printed wiring board diagrams - 2

(Pan & Zoom function)

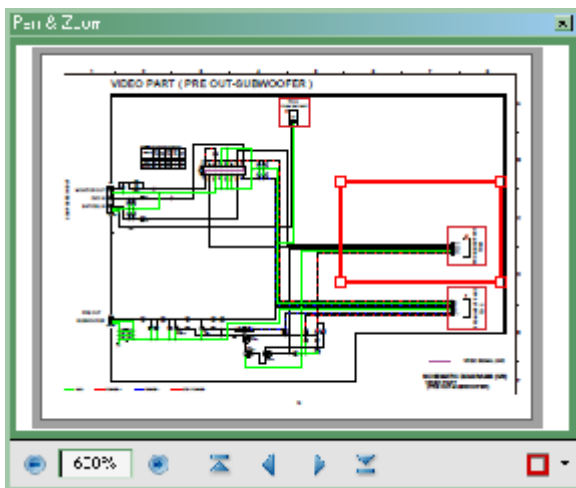
The Pan & Zoom function lets you see which part of a magnified diagram is being shown in a separate window.

[Example using Adobe Reader X]

On the "View" menu, point to "Zoom", and then click "Pan & Zoom".



- The Pan & Zoom window appears on the screen.



[Example using Adobe Reader 9]

On the "Tools" menu, point to "Select & Zoom", and then click "Pan & Zoom Window".

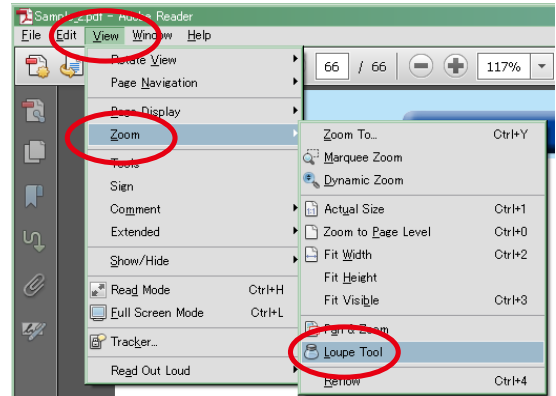
Magnify schematic / printed wiring board diagrams - 3

(Loupe Tool function)

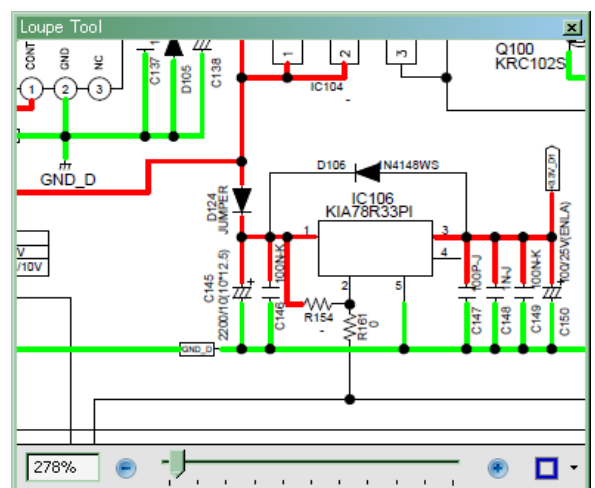
The Loupe Tool function lets you magnify a specific part of a diagram in a separate window.

[Example using Adobe Reader X]

On the "View" menu, point to "Zoom", and then click "Loupe Tool".



- The Loupe Tool window appears on the screen.



[Example using Adobe Reader 9]

On the "Tools" menu, point to "Select & Zoom", and then click "Loupe Tool Window".

SAFETY PRECAUTIONS

The following items should be checked for continued protection of the customer and the service technician.

leakage current check

Before returning the set to the customer, be sure to carry out either (1) a leakage current check or (2) a line to chassis resistance check. If the leakage current exceeds 0.5 milliamps, or if the resistance from chassis to either side of the power cord is less than 460 kohms, the set is defective.

Be sure to test for leakage current with the AC plug in both polarities, in addition, when the set's power is in each state (on, off and standby mode), if applicable.

CAUTION Please heed the following cautions and instructions during servicing and inspection.

⊙ Heed the cautions!

Cautions which are delicate in particular for servicing are labeled on the cabinets, the parts and the chassis, etc. Be sure to heed these cautions and the cautions described in the handling instructions.

⊙ Cautions concerning electric shock!

- (1) An AC voltage is impressed on this set, so if you touch internal metal parts when the set is energized, you may get an electric shock. Avoid getting an electric shock, by using an isolating transformer and wearing gloves when servicing while the set is energized, or by unplugging the power cord when replacing parts, for example.
- (2) There are high voltage parts inside. Handle with extra care when the set is energized.

⊙ Caution concerning disassembly and assembly!

Through great care is taken when parts were manufactured from sheet metal, there may be burrs on the edges of parts. The burrs could cause injury if fingers are moved across them in some rare cases. Wear gloves to protect your hands.

⊙ Use only designated parts!

The set's parts have specific safety properties (fire resistance, voltage resistance, etc.). Be sure to use parts which have the same properties for replacement. The burrs have the same properties. In particular, for the important safety parts that are indicated by the ⚠ mark on schematic diagrams and parts lists, be sure to use the designated parts.

⊙ Be sure to mount parts and arrange the wires as they were originally placed!

For safety reasons, some parts use tapes, tubes or other insulating materials, and some parts are mounted away from the surface of printed circuit boards. Care is also taken with the positions of the wires by arranging them and using clamps to keep them away from heating and high voltage parts, so be sure to set everything back as it was originally placed.

⊙ Make a safety check after servicing!

Check that all screws, parts and wires removed or disconnected when servicing have been put back in their original positions, check that no serviced parts have deteriorate the area around. Then make an insulation check on the external metal connectors and between the blades of the power plug, and otherwise check that safety is ensured.

(Insulation check procedure)

Unplug the power cord from the power outlet, disconnect the antenna, plugs, etc., and on the power. Using a 500V insulation resistance tester, check that the insulation resistance value between the inplug and the externally exposed metal parts (antenna terminal, headphones terminal, input terminal, etc.) is 1MΩ or greater. If it is less, the set must be inspected and repaired.

CAUTION Concerning important safety parts

Many of the electric and the structural parts used in the set have special safety properties. In most cases these properties are difficult to distinguish by sight, and the use of replacement parts with higher ratings (rated power and withstand voltage) does not necessarily guarantee that safety performance will be preserved. Parts with safety properties are indicated as shown below on the wiring diagrams and the parts list in this service manual. Be sure to replace them with the parts which have the designated part number.

- (1) Schematic diagrams.....Indicated by the ⚠ mark.
- (2) Parts lists.....Indicated by the ⚠ mark.

The use of parts other than the designated parts could cause electric shocks, fires or other dangerous situations.

NOTE FOR SCHEMATIC DIAGRAM

WARNING:

Parts indicated by the \triangle mark have critical characteristics. Use ONLY replacement parts recommended by the manufacturer.

CAUTION:

Before returning the set to the customer, be sure to carry out either (1) a leakage current check or (2) a line to chassis resistance check. If the leakage current exceeds 0.5 milliamps, or if the resistance from chassis to either side of the power cord is less than 460 kohms, the set is defective.

WARNING:

DO NOT return the set to the customer unless the problem is identified and remedied.

NOTICE:

ALL RESISTANCE VALUES IN OHM. k=1,000 OHM / M=1,000,000 OHM

ALL CAPACITANCE VALUES ARE EXPRESSED IN MICRO FARAD, UNLESS OTHERWISE INDICATED. P INDICATES MICRO-MICRO FARAD. EACH VOLTAGE AND CURRENT ARE MEASURED AT NO SIGNAL INPUT CONDITION. CIRCUIT AND PARTS ARE SUBJECT TO CHANGE WITHOUT PRIOR NOTICE.

NOTE FOR PARTS LIST

1. Parts indicated by "nsp" on this table cannot be supplied.
2. When ordering a part, make a clear distinction between "1" and "1" (i) to avoid mis-supplying.
3. A part ordered without specifying its part number can not be supplied.
4. Part indicated by "★" mark is not illustrated in the exploded view.

WARNING: Parts indicated by the \triangle mark have critical characteristics. Use ONLY replacement parts recommended by the manufacturer.

INSTRUCTIONS FOR HANDLING SEMI-CONDUCTORS AND OPTICAL UNIT

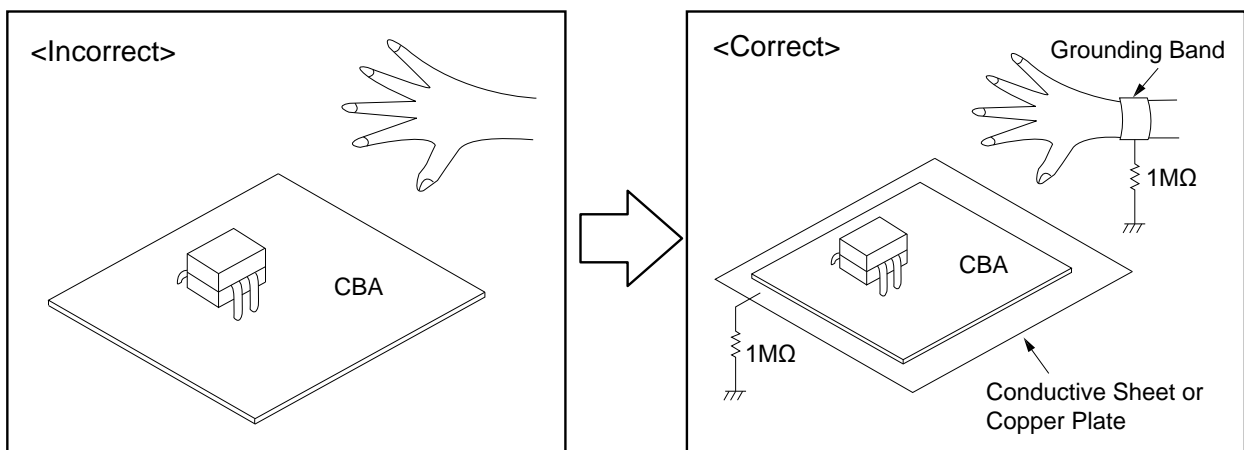
Electrostatic breakdown of the semi-conductors or optical pickup may occur due to a potential difference caused by electrostatic charge during unpacking or repair work.

1. Ground for Human Body

Be sure to wear a grounding band (1 M Ω) that is properly grounded to remove any static electricity that may be charged on the body.

2. Ground for Workbench

Be sure to place a conductive sheet or copper plate with proper grounding (1 M Ω) on the workbench or other surface, where the semi-conductors are to be placed. Because the static electricity charge on clothing will not escape through the body grounding band, be careful to avoid contacting semi-conductors with your clothing



TECHNICAL SPECIFICATIONS

□ Audio section

• Analog output

Channels:
Playable frequency range:
Playable frequency response:

□ [PCM]

2-channels
 2 Hz – 96 kHz
 2 Hz – 96 kHz
 Sampling frequency: 192 kHz
 2 Hz – 20 kHz
 (PCM sampling frequency: 44.1 kHz)
 110 dB (Audible range)
 100 dB (Audible range)
 0.0020% (1 kHz, Audible range)
 2.1 Vrms
 100 mW/32 Ω/ohms (variable maximum)

□ [DSD]

2-channels
 2Hz – 100kHz
 2 Hz – 50 kHz (–3 dB)
 110 dB (Audible range)
 105 dB (Audible range)
 0.0010% (1 kHz, Audible range)
 1.5 Vrms
 70 mW/32 Ω/ohms (variable maximum)

S/N:

Dynamic Range:

Harmonic Distortion:

• Output Level

• H/P Output Level

• Digital output

Output:

–21 – –15 dBm

–

□ Tuner section

Receiving Range:

Effective sensitivity:

FM Channel separation:

FM S/N ratio:

Distortion:

[FM]
 87.5 MHz – 107.9 MHz
 1.2 μV / 75 Ω/ohms
 42 dB (1 kHz)
 Monaural : 70 dB
 Stereo : 70 dB
 Monaural : 0.5 % (1 kHz)
 Stereo : 0.5 % (1 kHz)

[AM]
 520 kHz – 1710 kHz
 20 μV

□ Wireless LAN

Network type (wireless LAN standards): Conforming to IEEE 802.11b
 Conforming to IEEE 802.11g
 Conforming to IEEE 802.11n
 (Wi-Fi® compliant)*

Security:

WEP 64 bit, WEP 128 bit
 WPA/WPA2-PSK (AES)
 WPA/WPA2-PSK (TKIP)

Radio frequency:

No. of channels:

2.4 GHz
 1 – 13 ch

***[Wi-Fi® CERTIFIED] Logo and the Wi-Fi CERTIFIED On-Product Logo are registered trademarks of the Wi-Fi Alliance.**

□ Bluetooth section

Communications system:

Transmission power:

Maximum communication range:

Frequency band:

Modulation scheme:

Supported profiles:

Bluetooth Version 2.1 + EDR (Enhanced Data Rate)
 Maximum 2.5 mW (Class 2)
 Approx. 10 m in line of sight*2
 2.4 GHz band
 FHSS (Frequency-Hopping Spread Spectrum)
 A2DP (Advanced Audio Distribution Profile) 1.2
 AVRCP (Audio Video Remote Control Profile) 1.4

Corresponding codec:

Transmission range (A2DP):

SBC, AAC
 20 Hz - 20,000 Hz

***2 The actual communication range varies depending on the influence of such factors as obstructions between devices, electromagnetic waves from microwave ovens, static electricity, cordless phones, reception sensitivity, antenna performance, operating system, application software etc.**

□ General

Power supply voltage/frequency:

Power consumption:

Power consumption in standby mode:

Power consumption in "Network Control" mode:

– "On" mode:

AC 230 V, 50/60 Hz(N), AC 120 V 60 Hz(U),
 AC 100 V 50/60 Hz(F), AC 220 V, 50 Hz(K)

35 W

0.4 W

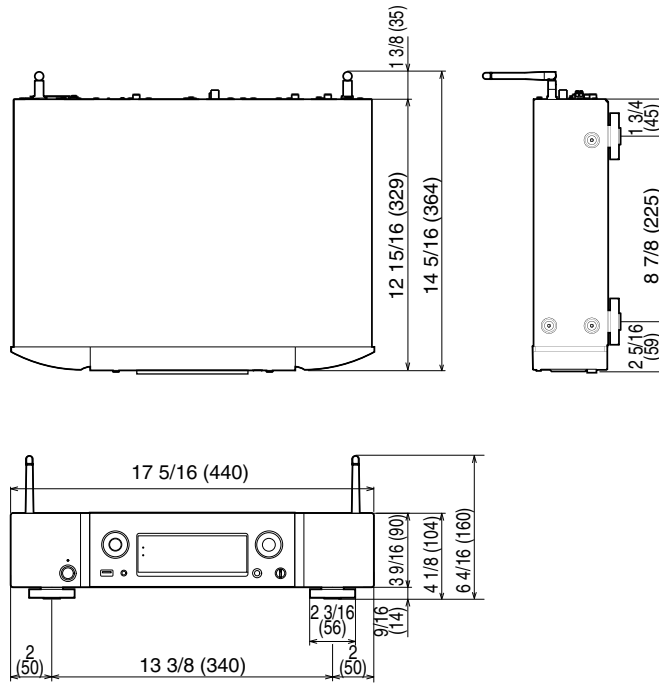
4.0 W

For the purpose of improvement, the specifications and design are subject to change without notice.

DIMENSION

Unit : in. (mm)

Weight : 13 lbs 4 oz (6.0 kg)



CAUTION IN SERVICING

Updating this unit

- When you replace the IC101, you need firmware updates. See "FIRMWARE UPDATE PROCEDURE".
- When you replace the WLAN MODULE, you need firmware updates. And MAC Address seal replacement is required. See "FIRMWARE UPDATE PROCEDURE".

Initializing this unit (Initialization for the factory)

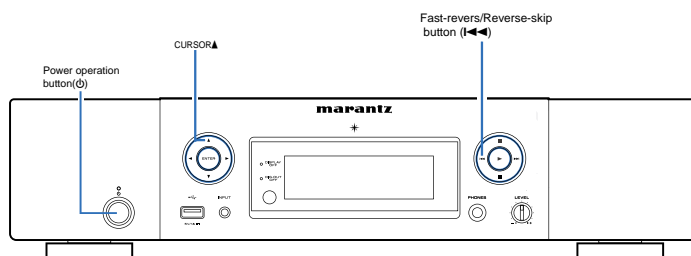
This unit initialization should be performed when the μ com, peripheral parts of μ com, and WLAN MODULE are replaced.



1. Press the power operation button "⏻" to turn off the power, and remove the AC plug from the socket.
2. While holding down buttons "CURSOR ▲" and "INPUT" simultaneously, insert the AC plug into the wall outlet to turn on the power. (Factory Reset)
3. Press the power operation button to place this unit on standby.
4. While holding down buttons "CURSOR ▼" and "◀◀" simultaneously, press the power button to turn on the power. (Initialized)
5. Wait for more than 90 seconds after "Initialized" is displayed and then turn the power off. (During this time, start and initialize the network devices.)

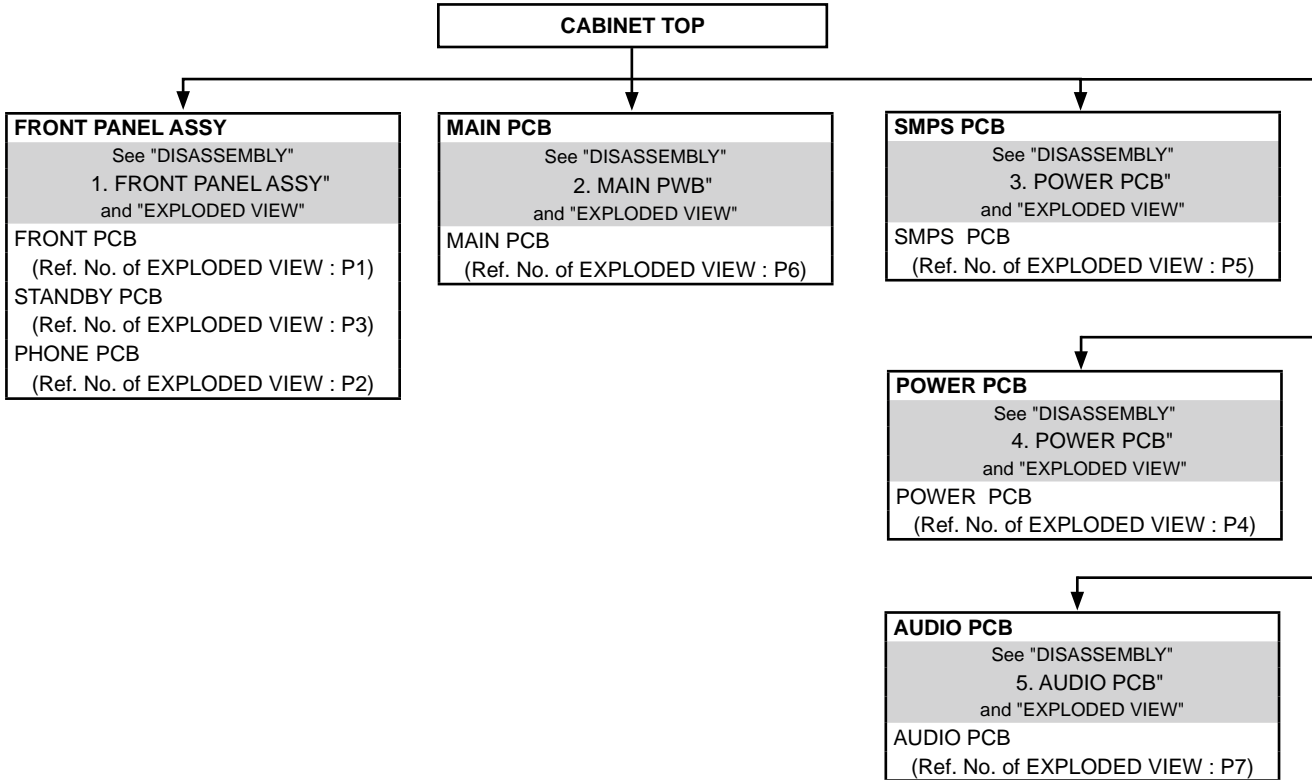
NOTE: • If step 5 fails, start over from step 1.

- All user settings will be lost and the factory setting will be recovered after the set is initialized. So make sure to note down your setting beforehand for restoring after the initialization.



DISASSEMBLY

- Remove each part in the order of the arrows below.
- Reassemble removed parts in the reverse order.
- Read "Precautions During Work" before reassembling removed parts.
- If wire bundles are removed or moved during adjustment or part replacement, reshape the wires after completing the work. Failure to shape the wires correctly may cause problems such as noise.

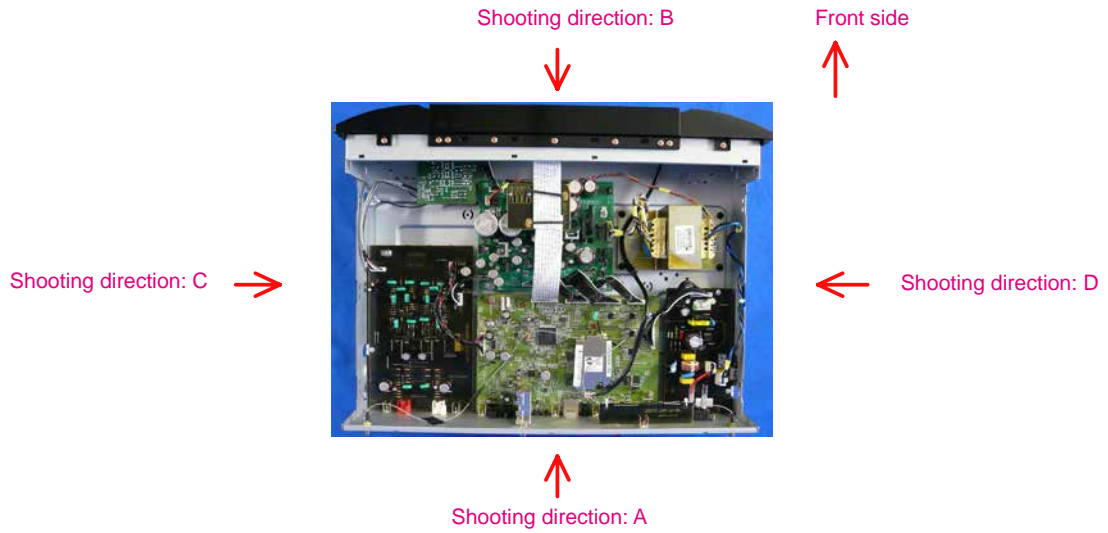


Explanatory Photos for DISASSEMBLY

- The angles from which the photos are taken are shown by "Photo angle : A, B, C, D".
- See the diagram below about the shooting direction of each photograph.
- Photographs with no shooting direction indicated were taken from the top of the unit.
- The photograph is NA6005U1B model.

The viewpoint of each photograph

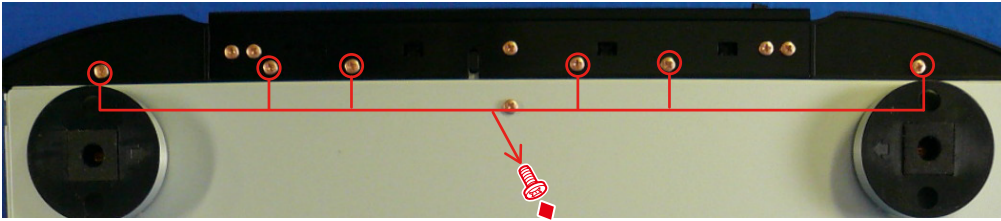
(Shooting direction:X)[View from the top]



1. FRONT PANEL ASSY

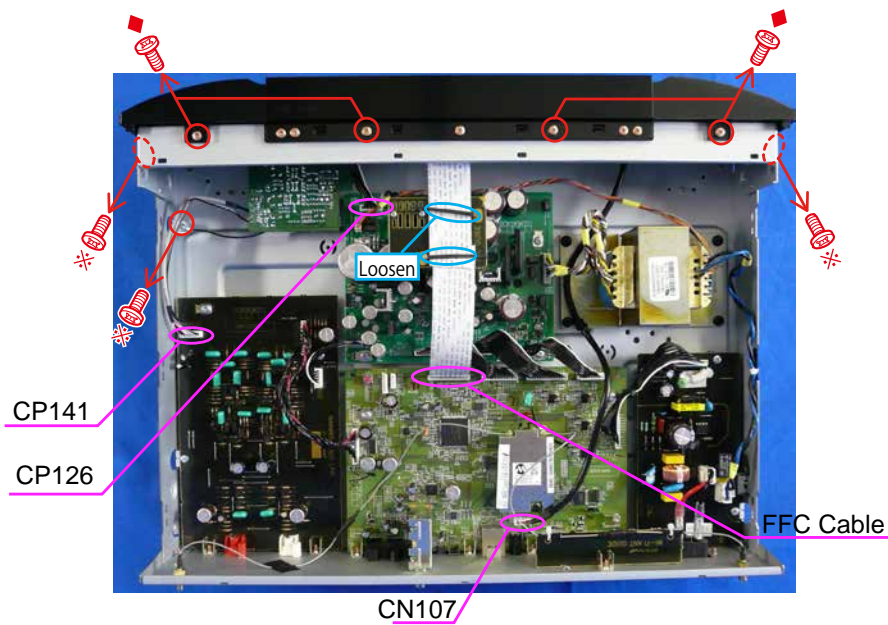
Proceeding: CABINET TOP → FRONT PANEL ASSY

(1) Remove the screws.



Bottom side

(3) Remove the connector wires and FFC. Remove the screws.

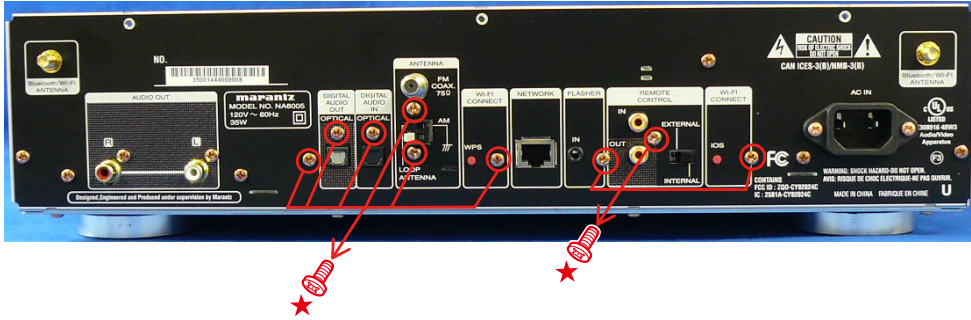


See "EXPLODED VIEW" for instructions on how to remove each PCB of the FRONT PANEL ASSY.

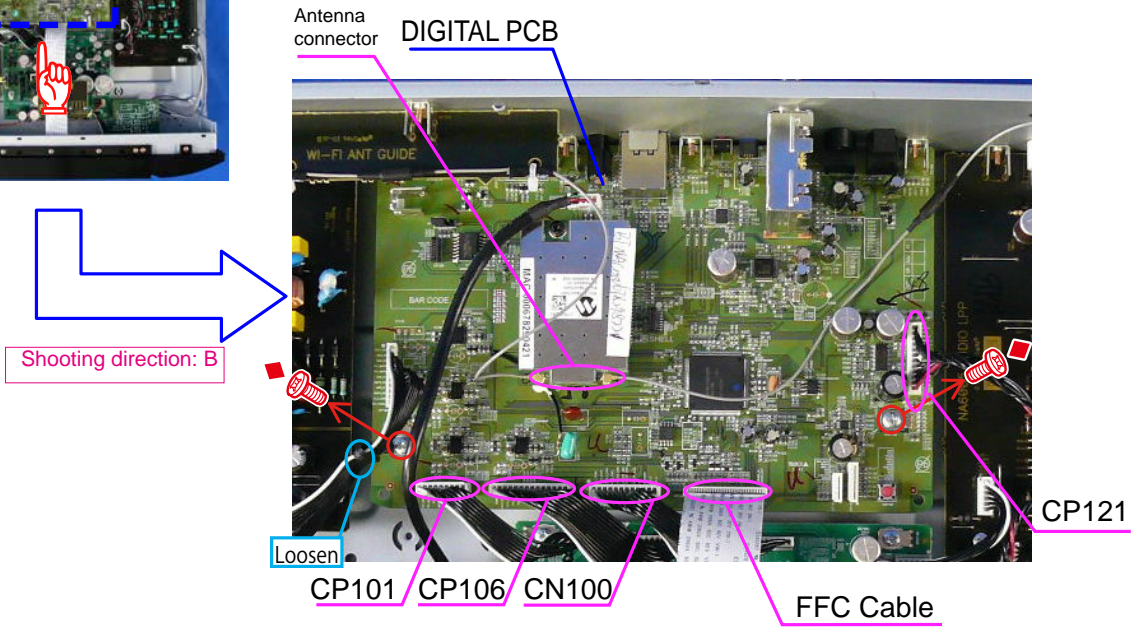
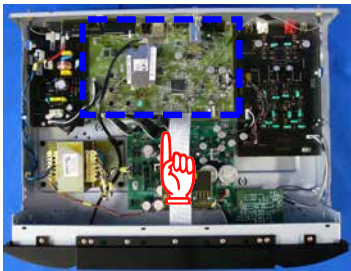
2. MAIN PCB

Proceeding: **CABINET TOP** → **MAIN PCB**

(1) Remove the screws.



(2) Remove the screws. Remove the connector wires and FFC.



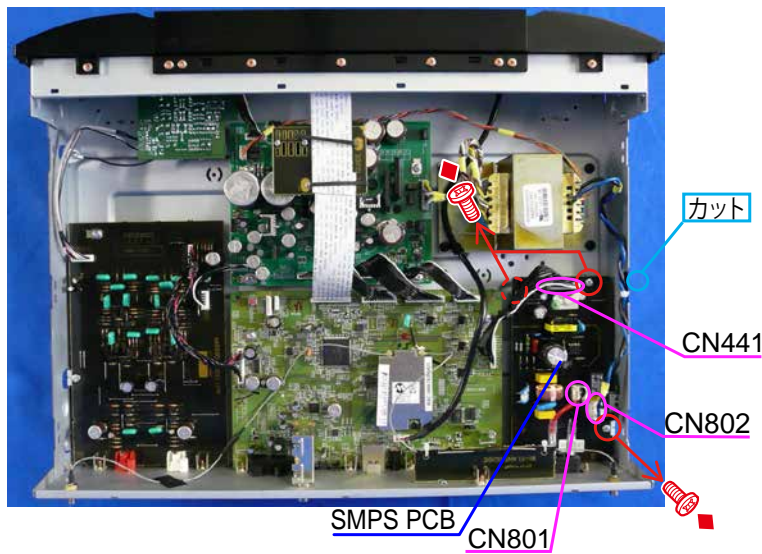
3. SMPS PCB

Proceeding: CABINET TOP → SMPS PCB

(1) Remove the screw.



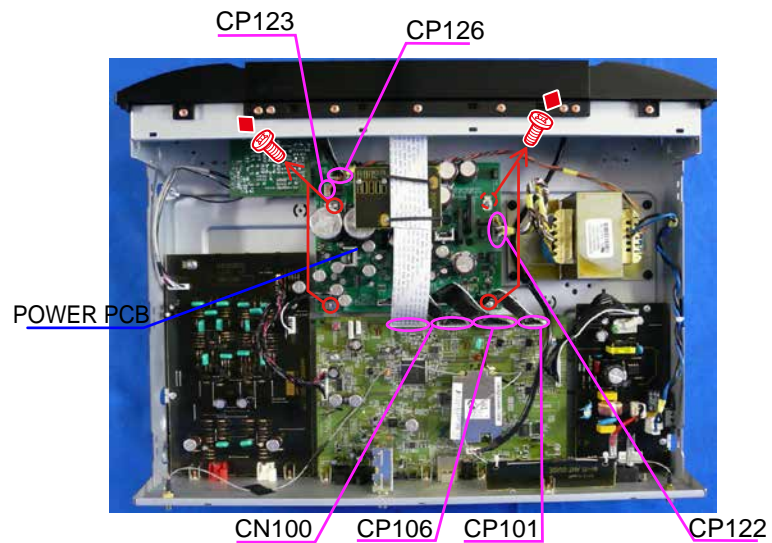
(2) Remove the screws. Remove the connector wires and FFC.



4. POWER PCB

Proceeding: CABINET TOP → POWER PCB

(1) Remove the screws. Remove the connector wires and FFC.



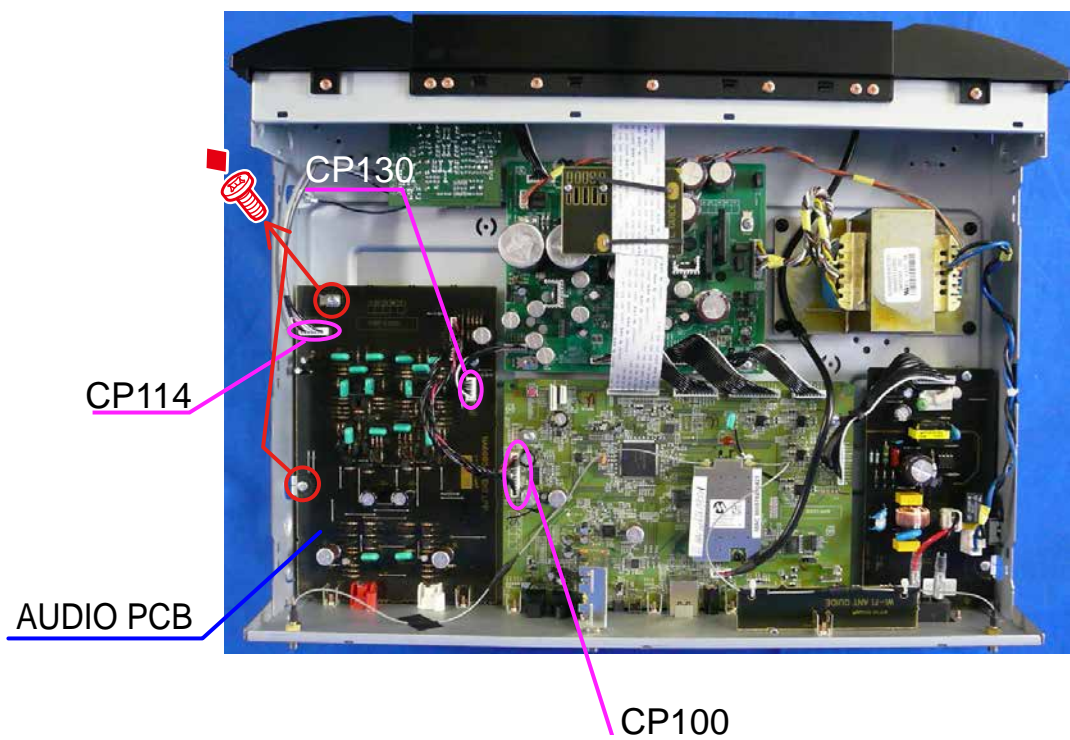
5. AUDIO PCB

Proceeding: **CABINET TOP** → **AUDIO PCB**

(1) Remove the screws.



(2) Remove the connector wires and remove the screws.



SPECIAL MODE

Special mode setting button

No.2, 6, 11, 15 : ▲

Hold down buttons **A** button and **B** button at the same time and press the "POWER" button to turn on the power.

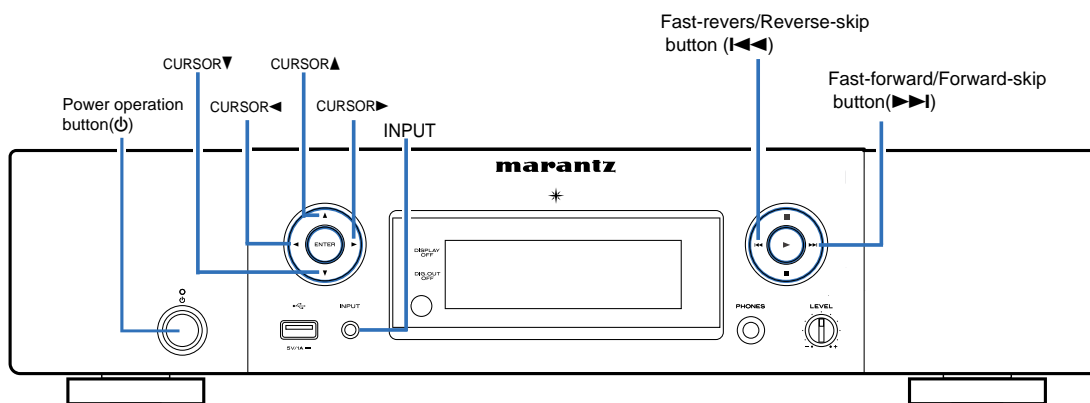
No.1, 4, 5, 7, 8, 9, 10, 12, 13, 14 : ▲

Hold down buttons **A** button and **B** button at the same time and connect the power cord to an outlet. Each button continue to press until the turning on POWER LED.

No.3 :

Hold down the Power button for at least 3 seconds while pressing the A button.

No.	Mode	Button A	Button B	Contents
1	Initialization for the factory	CURSOR ▲	INPUT ▲	The setting value to default. ※ Be sure to do the "Owner's Manual described Initialization" after the "Factory Initialization".▲
2	Owner's Manual described initialization	CURSOR ▼	I◀◀	The differences between this operation and restoring the factory default are as follows. ▲ • Does not clear the version information such as rewriting failed log. • Does not clear the history of protection. • Network devices are started and initialized.
3	Version check	CURSOR ▲	-	Version Display.
4	Product mode 1	CURSOR ►	-	Development/Factory use. Not for service.
5	Product mode 2	CURSOR ◀	-	Development/Factory use. Not for service.
6	Protection history	CURSOR ◀	I◀◀	Protection history view and reset.
7	"DPMS" force update	CURSOR ►	INPUT	Forced updated by DPMS.
8	"232C" force update	CURSOR ◀	INPUT	Development/Factory use. Not for service.
9	MAC Address rewrite	CURSOR ▼	INPUT	Development/Factory use. Not for service.
10	Access to development server mode	CURSOR ▲	I◀◀	Development/Factory use. Not for service.
11	USB update	CURSOR ►	I◀◀	Updated by USB
12	"USB" force update	CURSOR ◀	I◀◀	Forced updated by USB
13	920 rewrite	CURSOR ▼	I◀◀	Development/Factory use. Not for service.
14	Factory rewrite	CURSOR ▼	-	Development/Factory use. Not for service.



1. Initialization for the factory mode

Backup data initialization is carried out. See Initialization Items.
After initialization, move on to normal mode.

CAUTION

Version information (such as rewriting failed log) Clear.
Clear the history of protection.

Operation

While holding down buttons "CURSOR ▲" and "INPUT" simultaneously, insert the AC plug into the wall outlet to turn on the power. ⚠

Startup display

All lights display (2 seconds) - All off display (2 seconds)

Lighting of all LEDs on the unit (4 second)

"Factory Reset" displayed for 5 seconds.



Initialization Items (Default setting)

	Setting
Source	Internet Radio
DIMMER	100%
Sleep	OFF
REPEAT/RANDOM	OFF
Favorite list	Clear all
iPod mode	Remote Mode
Setup Menu/Network	Set to Initial value, all
Protection history	NO PROTECT
Version up information	Clear all

2. Owner's Manual described initialization mode (User Reset)

Backup data initialization is carried out. Refer to Initialization Items.
After initialization, move on to normal mode.

CAUTION

The differences between this operation and restoring the factory default are as follows.

- Does not clear the version information such as rewriting failed log.
- Does not clear the history of protection.
- Network devices are started and initialized ⚠

Operation

In "STANDBY" status, press and hold the "CURSOR ▼" and "I◀◀" buttons along with the power operation button to turn on the power.

Startup display

"Initialized" displayed for 5 seconds.



Wait for more than 90 seconds after "Initialized" is displayed and then turn the power off. ⚠
(During this time, start and initialize the network devices.)

3. Version check

Menu items appear in the Add Version. Otherwise, normal operation.
To exit this mode, unplug the power cord.

Display order

System u-com → System u-com (Boot loader) → Network u-com (Boot loader) → Network u-com (Image) → Serial No. → Bluetooth Mac Address

Operation

In standby status, hold down the Power button for at least 3 seconds while pressing the "CURSOR ▲" button.

Startup display

"Version" displayed for 5 seconds.



How to Display Version

Press the "INPUT" button and select the "Setup".



Press ENTER button.

The version of the system-μ Processor.



Press CURSOR ▼.

The version of the boot loader(system-μ Processor).



Press CURSOR ▼.

The version of the boot loader(network-μ Processor).



Press CURSOR ▼.
The version of the image(network-μ Processor).



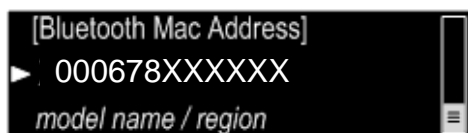
Starting the CY920 is not completed.



Press CURSOR ▼
Serial No. displayed.



Press CURSOR ▼
Bluetooth Mac Address displayed.



4. Product Mode 1

Startup display

"Product Mode1" displayed for 5 seconds.



Not for service.
To exit this mode, unplug the power cord.

5. Product Mode 2

Startup display

"Product Mode2" displayed for 5 seconds.



Not for service.
To exit this mode, unplug the power cord.

6. Protection history display mode

To exit this mode, unplug the power cord.

Startup display

"Detect Protection" displayed for 5 seconds.



No history found.



Clear the Protection History.

When the Cursor ▲ button is pressed for over 5 seconds while the protection history is displayed, clear the protection history.



After clearing, will display "NO PROTECT".



NOTE : Protection history is cleared, even when the set is Initialization for the factory mode.

7. "DPMS" force update mode

Update the firmware of DPMS.

Operation

Hold down buttons "CURSOR▶" button and "INPUT" button at the same time and connect the power cord to an outlet. See "PROCEDURE FOR UPGRADING THE VERSION OF THE FIRMWARE".

Error code table

- Preparation operation rewritten, Update error code checking.

ErrCode	DPMS Update	FL Message
Hex	The occurred event	
01	Login failed (DPMS Access Login Incorrect notification)	Login failed 01
02	Login failed (DPMS Access Server Busy information)	Server is busy 02
03	Login failed (DPMS Access link failure information)	Connection fail 03
04	Firmware Individual information acquisition failure	Connection fail 04
05	Firmware Individual information acquisition TimeOut	Connection fail 05
06	Firmware all information acquisition failure	Connection fail 06
07	Firmware all information acquisition TimeOut	Connection fail 07
08	Error notification received at the time of Firmware Info request	Connection fail 08
09	Firmware Info response acquisition Time Out	Connection fail 09
0A	Firmware Down Load failed ((NG) information recieved)	Download fail 0A
0B	Firmware Down Load failed ((ServerBusy) information recieved)	Download fail 0B
0C	Firmware Down Load failed ((Connection failed) information recieved)	Download fail 0C
0D	Received Package Version is wrong	Connection fail 0D
20	Transition to the Boot Loader Mode (Failure to acquire the IP Address (AutoIP))	Connection fail 20
21	Transition to the Boot Loader Mode (Failure to acquire the IP Address (TimeOut))	Connection fail 21
22	Transition to the Boot Loader Mode (DPMS Access Login Incorrect notification)	Login failed 22
23	Transition to the Boot Loader Mode (DPMS Access Server busy infomation)	Server is busy 23
24	Transition to the Boot Loader Mode (DPMS Access connection failed i nformation recieved)	Connection fail 24
25	Transition fails to Boot Loader Mode	Connection fail 25
27	Write failure to the Boot Loader Mode to transition after the EEPROM	Connection fail 27

- Firm error codes at the main microprocessor rewritten.

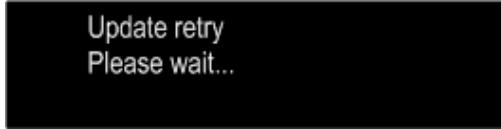
ErrCode	DPMS Update	FL Message
Hex	The occurred event	
10	Firm Info response acquisition Time Out (Main rewrite Firmware recived failure (Time Out))	Updating fail 10
11	Firm Info response acquisition recived error (Main rewrite Firmware recived failure (Error))	Updating fail 11
12	Firm Info response acquisition recived error (Main rewrite Firmware recived data incorrect (Check Sum Error))	Updating fail 12
13	Rewrite failure (Block Erase failed before Main rewriting)	Erase fail 13
14	Rewrite failure (Block Write failed before Main rewriting)	Updating fail 14
15	Rewrite failure (Verify incorrect after Main rewriting)	Updating fail 15
22	Transition to the Boot Loader Mode (DPMS Access Login Incorrect notification)	Login failed 22
23	Transition to the Boot Loader Mode (DPMS Access Server busy infomation)	Server is busy 23
24	Transition to the Boot Loader Mode (DPMS Access connection failed infomation)	Connection f ail 24
39	Login failure (DPMS Access access Time Out)	Connection f ail 39
3A	Down Load failure (Download error (NG)information recieved)	Download fail 3A
3B	Down Load failure (Download error (Server Busy) information recieved)	Server is busy 3B
3C	Down Load failure (Download error (connection failed)information recieved)	Connection fail 3C
3D	Transition to the Boot Loader Mode (Failure to acquire the IP Address (Auto IP))	Connection f ail 3D
3E	Transition to the Boot Loader Mode (Failure to acquire the IP Address (Time Out))	Connection f ail 3E
3F	Fail in moving into Boot Loader Mode.	Connection fail 3F

- CX920 error codes when firmware rewriting.

ErrCode	DPMS Update	FL Message
Hex	The occurred event	
A0	Failure to acquire the IP Address (AutoIP)	Connection f ail A0
A1	Failure to acquire the IP Address (TimeOut)	Connection f ail A1
A2	Login failed (DPMS Access Login Incorrect notification)	Login failed A2
A3	Login failed (DPMS Access Server busy infomation)	Server is busy A3
A4	Login failed (DPMS Access connection failed infomation)	Connection f ail A4
A6	Error notification received at the time of Firmware Info request	Updating fail A6
A7	Firmware Info response acquisition Time Out	Updating fail A7
AE	Down Load failure (Download error (NG)information recieved)	Download fail AE

AF	Down Load failure (Download error (Server Busy) information recieved)	Download fail AF
B0	Down Load failure (Download error (connection failed)information recieved)	Download fail B0
B1	Down Load failure (Error at the time of Download (TimeOut))	Download fail B1
B2	Firmware Down Load failed	Updating fail B2
B4	Transition fails to Boot Loader Mode	Updating fail B4
B5	Transition fails to Application Mode	Updating fail B5

Failure to update, After the move again CX920 selfe display retry processing.



8. "232C" force update mode

Development / Factory use.

9. MAC Address rewrite mode

Development / Factory use.

10. Access to development server mode

Development / Factory use.

11. USB update mode

Operation

Hold down buttons "I◀◀" button and "CURSOR▶" button at the same time and press the "POWER" button to turn on the power.

See "Firmware Update Procedure".

12. "USB" force update mode

Operation

Hold down buttons "I◀◀" button and "CURSOR◀" button at the same time and connect the power cord to an outlet.

See "Firmware Update Procedure".

13. 920 rewrite mode


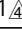
Development / Factory use.

14. Factory rewirte mode

Development / Factory use.

PROCEDURE AFTER REPLACING THE MICROPROCESSOR, ETC

The procedure after replacing the u-COM (Microprocessor), flash ROM, etc. is as follows.

PWB Name	Ref. No.	Description	After replaced	Remark
MAIN	IC101	R5F56108VNFP	B	
EXPLODED 	P11 	MODULE CY920-24C NA6005	D	
MAIN	IC100	GD25Q32B	A	K1B
MAIN	IC109	MX25L25635FMI-10G	C	

After replacing

A : The software has been written. The software is not written at the time of replacement.

B : The software has been written. The software may need to be rewritten by version updates. Check the version.

C : The software has not been written. The software needs to be written after replacement. See “Firmware UpdateProcedure” for information on writing the software.

D : The software has been written. Be sure to rewrite with the latest software for your service region. See “Firmware Update Procedure” for information on writing the software.

FIRMWARE UPDATE PROCEDURE

1. Updating by DPMS

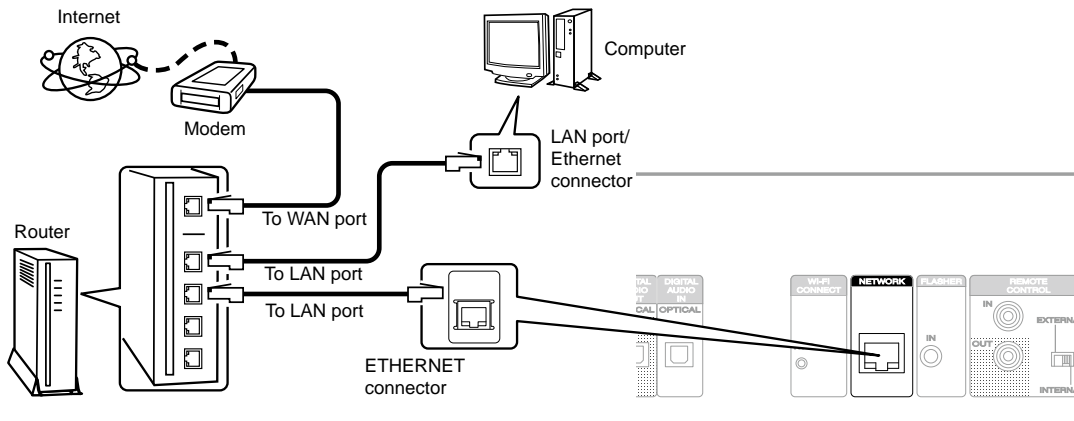
Download the latest firmware from the internet and update the firmware.

1.1. Network Connection

(1) System requirements

- A broadband internet connection
- Modem
- Router
- Ethernet cable (CAT-5 or greater recommended)

(2) Settings



1.2. Check and update the firmware

Check whether new firmware is available. It is also possible to check approximately how long the update will take.

- (1) Press POWER button to turn on power.
- (2) Press INPUT button to display menu.
 - Press CURSOR ▲ / ▼ buttons select to General. Press the ENTER.
 - Press CURSOR ▲ / ▼ buttons select to Firmware Update. Press the ENTER.
 - Press CURSOR ▲ / ▼ buttons select to UPDATE.
 - Press CURSOR ▲ / ▼ buttons select to CHECK For UPDATE.
- (3) Press the ENTER button.
 - If the latest firmware has been already installed, press the SOURCE button to close the Update menu.
- (4) Press ENTER button. Select YES, then press ENTER button.
- (5) To start the update.
- (6) When rewriting is completed, this unit restarts itself automatically.
- (7) Press the POWER button to turn off the power.
- (8) Hold down the POWER button for at least 3 seconds while pressing the CURSOR ▲ button.
This unit sets the version display mode.
Please confirm the firmware version.
- (9) Check MAC Address.
Setup → Network → Network Info → MAC Address
- (10) The back panel of the unit, MAC Address seals, please change new one.
Please confirm the MAC Address display is corresponding to the seal.
- (11) Hold down buttons "CURSOR ▲" button and "I◀◀" button at the same time and press the "POWER" button to turn on the power. (Initialization for the factory)

--- Precautions for Updates ---

- The environment and settings must allow connection to broadband Internet for updates.
- Never turn off the power before an update is completed.
- It takes around 1 hour to complete the update.

Once an update is started, normal operations cannot be performed until it is completed.

The menu settings of this unit may be initialized.

Take note of your settings beforehand and reconfigure them after the update.

FIRMWARE UPDATE PROCEDURE

2. Updating by USB

The latest firmware can be downloaded to a USB memory for updates.

2.1. Connecting to the USB Memory

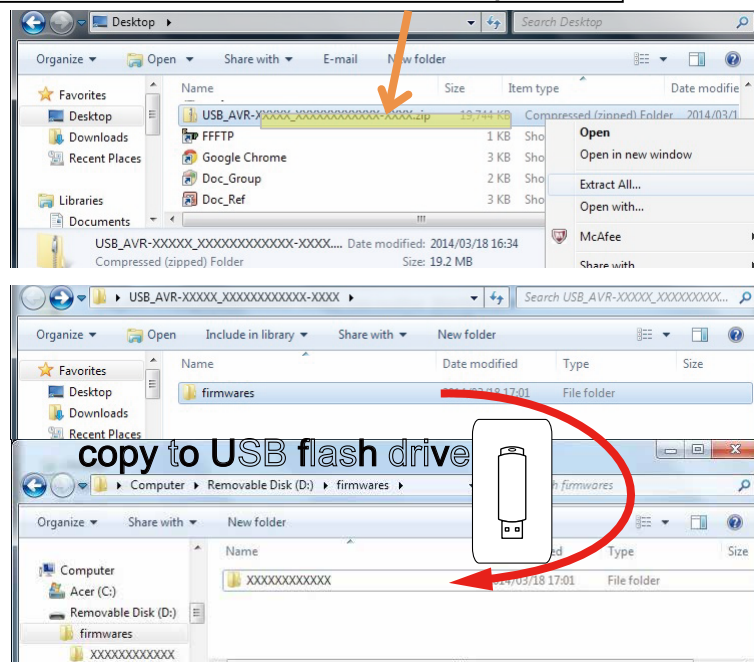
(1) Preparation

- USB format : Prepare a USB memory formatted in FAT16 or FAT32.
- USB flash drive (memory), use the USB2.0.
- Do not run the USB memory through a hub.
- Do not connect a computer to the USB port of this unit using a USB cable.
- Do not use an extension cable when connecting the USB unit.

2.2. Unzip Download File

Unzip the downloaded file on your computer.

NA6005	USB_NA6005xx_CY920_100200070x00-xxxx.zip
--------	--



USB memory supports only USB2.0.

You can find "firmwares" folder after unzipped.

Copy that folder to USB flash drive.

You have to put "firmwares" folder on root directly on USB flash drive(memory).

2.3. File structure on USB Memory

Copy the update files to the USB memory with the following structure:

USB memory root

Model Name	Model Area	Product ID
NA6005	North America (U)	100200070100
	Europe (N)	100200070200
	Japan (F)	100200070400
	China (K)	100200070500

+ firmwares

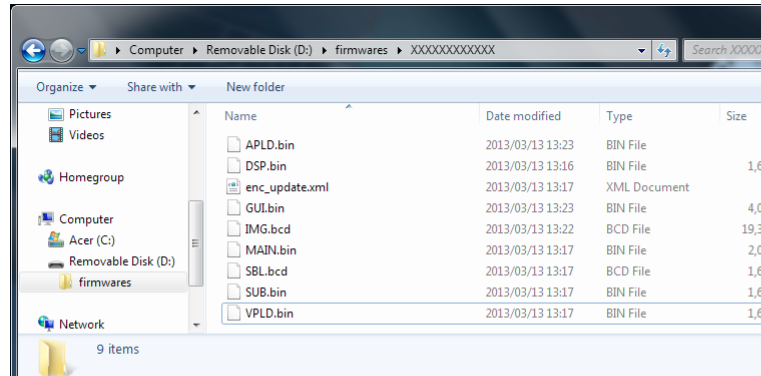
+ 00020013XXXX

+ enc_update.xml

+ IMG.bcd

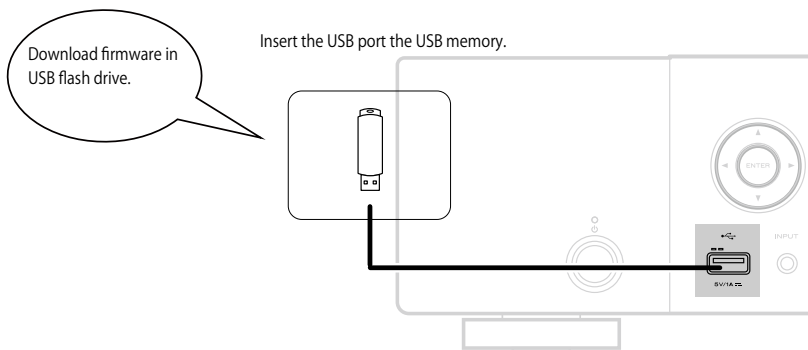
+ SYS.bin

+ SBL.bcd



2.4. Insert the USB memory in the USB port

NOTE : Remove the LAN cable from this unit when performing updates.



2.5. Start the update

Hold down buttons CURSOR ► button and ◀◀ button at the same time and press the "POWER" button to turn on the power.

2.6. Display during USB update

The following message appears on the display:

Display



2.7. Press the "ENTER" key on the remote control unit or this unit

Then start Firmware Update.

Display



2.8. The firmware update finishes

Update after restart.

After updating the firmware, check the version.

--- Precautions for Updates ---

- Wait for 60 seconds before turning the power back on(AC ON→OFF→ON).
- Never remove the USB memory before the update is finished.
- Never turn off the power before an update is completed.
- It takes around 30 minutes to complete the update.

Once an update is started, normal operations cannot be performed until it is completed.

Also, the settings of the unit may be initialized.

Take note of your settings beforehand and reconfigure them after the update.

3. "USB" force update mode

Mode used when this unit cannot be recovered.

Forcibly switches this unit to USB update mode.

3.1. Operation

Hold down buttons CURSOR ◀ button and ◀◀ button at the same time and connect the power cord to an outlet.

NOTE : It waits for the plug of AC plug until the electric charge inside a set is completely discharged for about 2 minutes, when AC plug is pulled out immediately before.

3.2. Display during USB update

The following message appears on the display:

Display



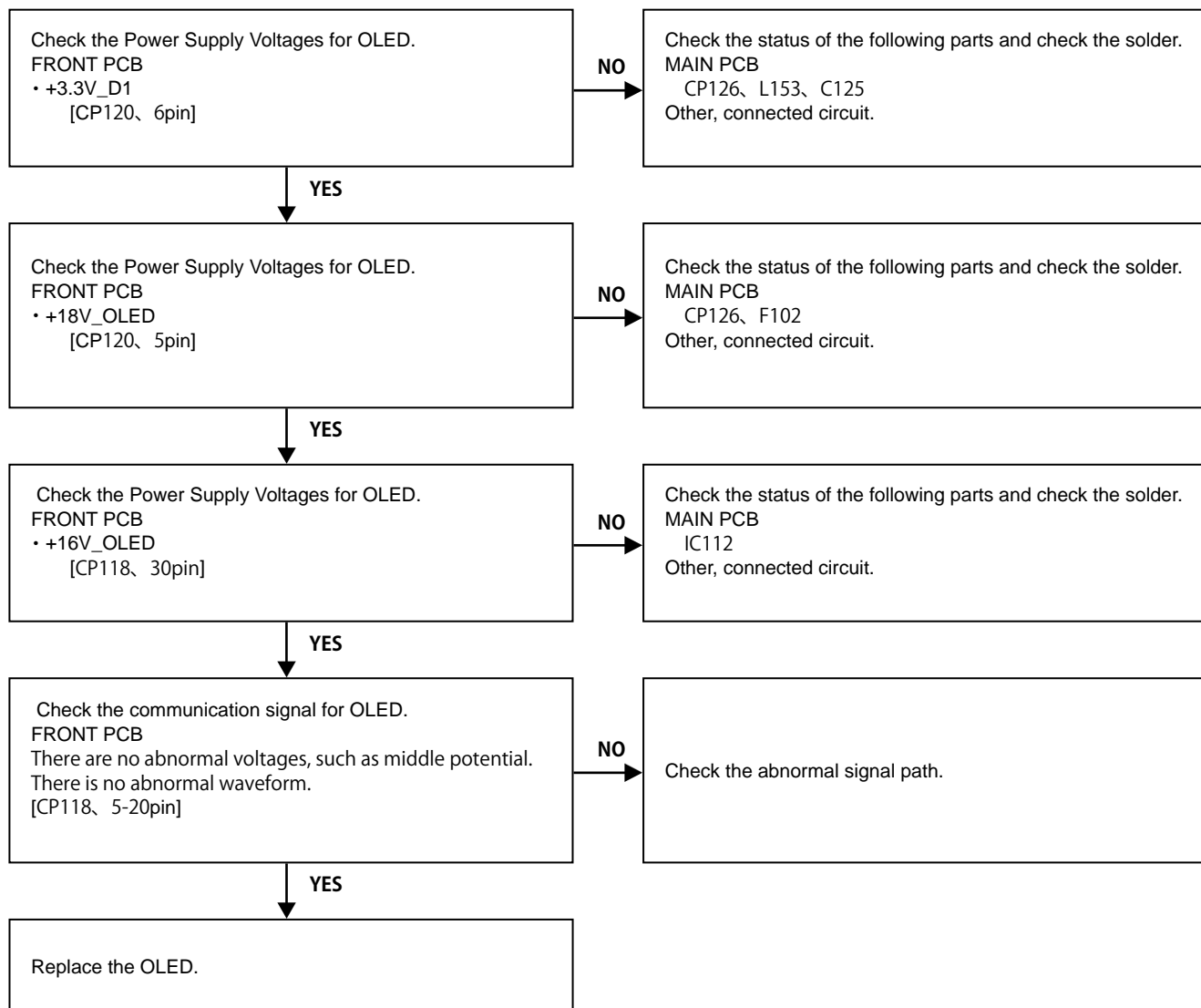
3.3. The firmware update finishes

The update after the restart, all devices will be updated.

After updating the firmware, check the version.

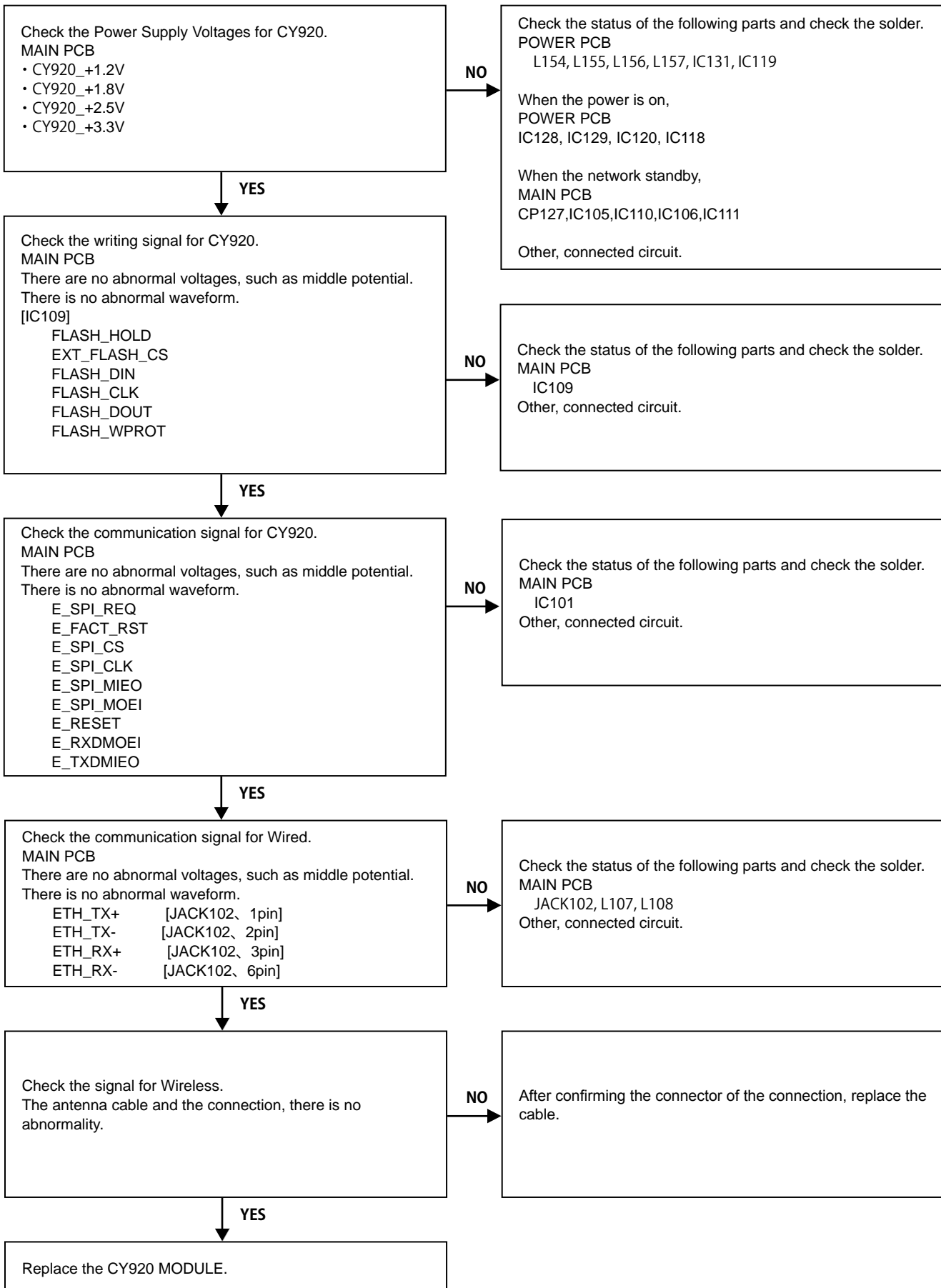
TROUBLE SHOOTING

1. OLED dosen't light

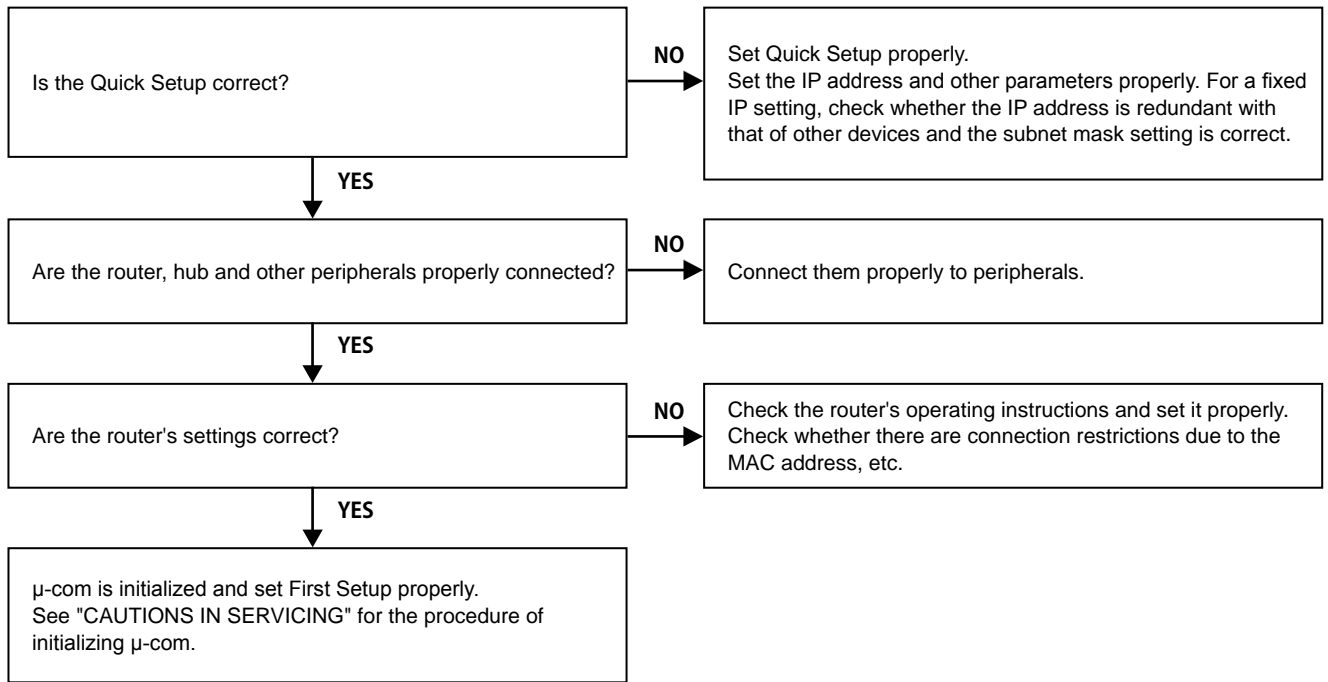


2. Cannot connect to network. / Cannot connect to Bluetooth.

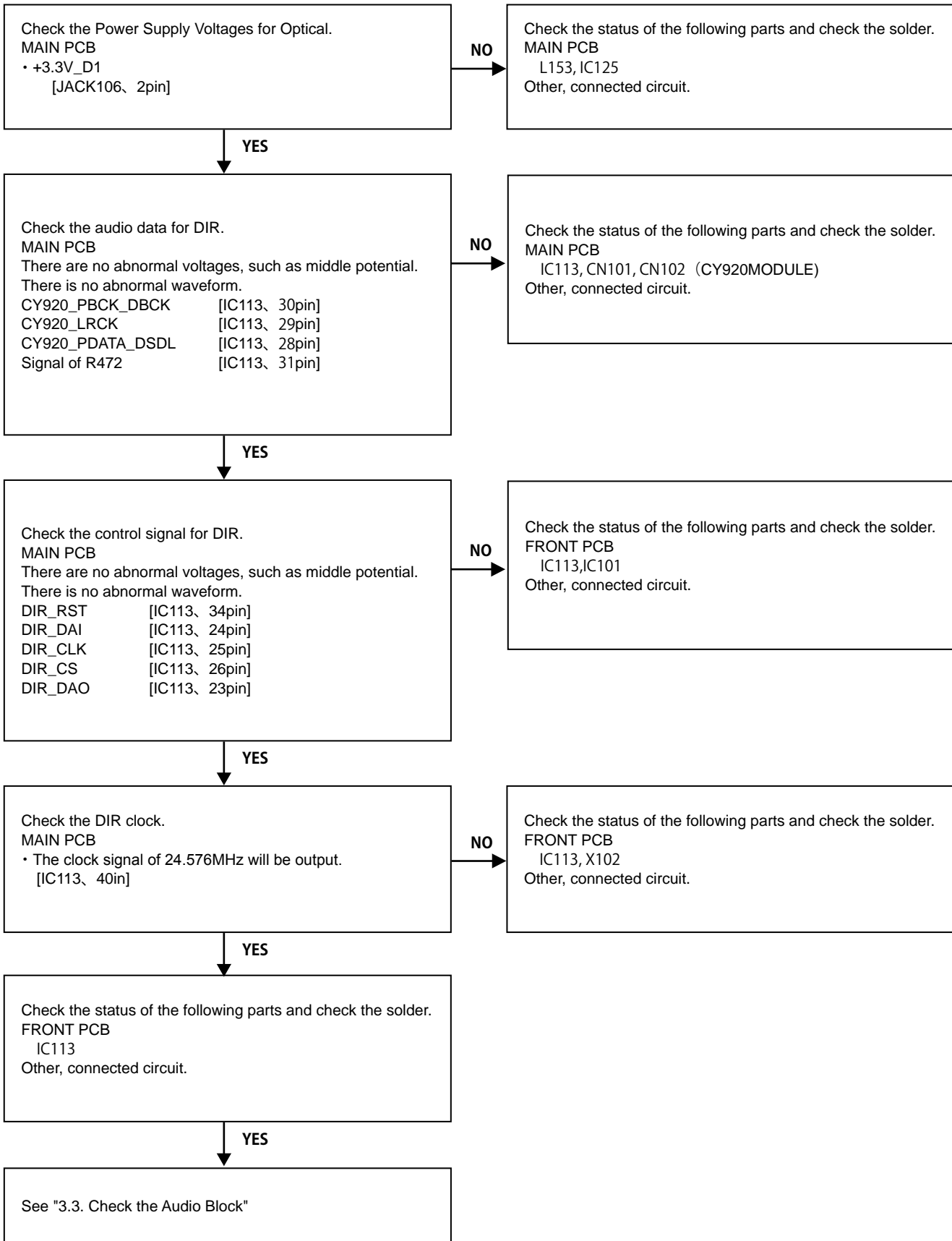
2.1. First Setup doesn't operate normally, Ethernet doesn't playback, Bluetooth doesn't.



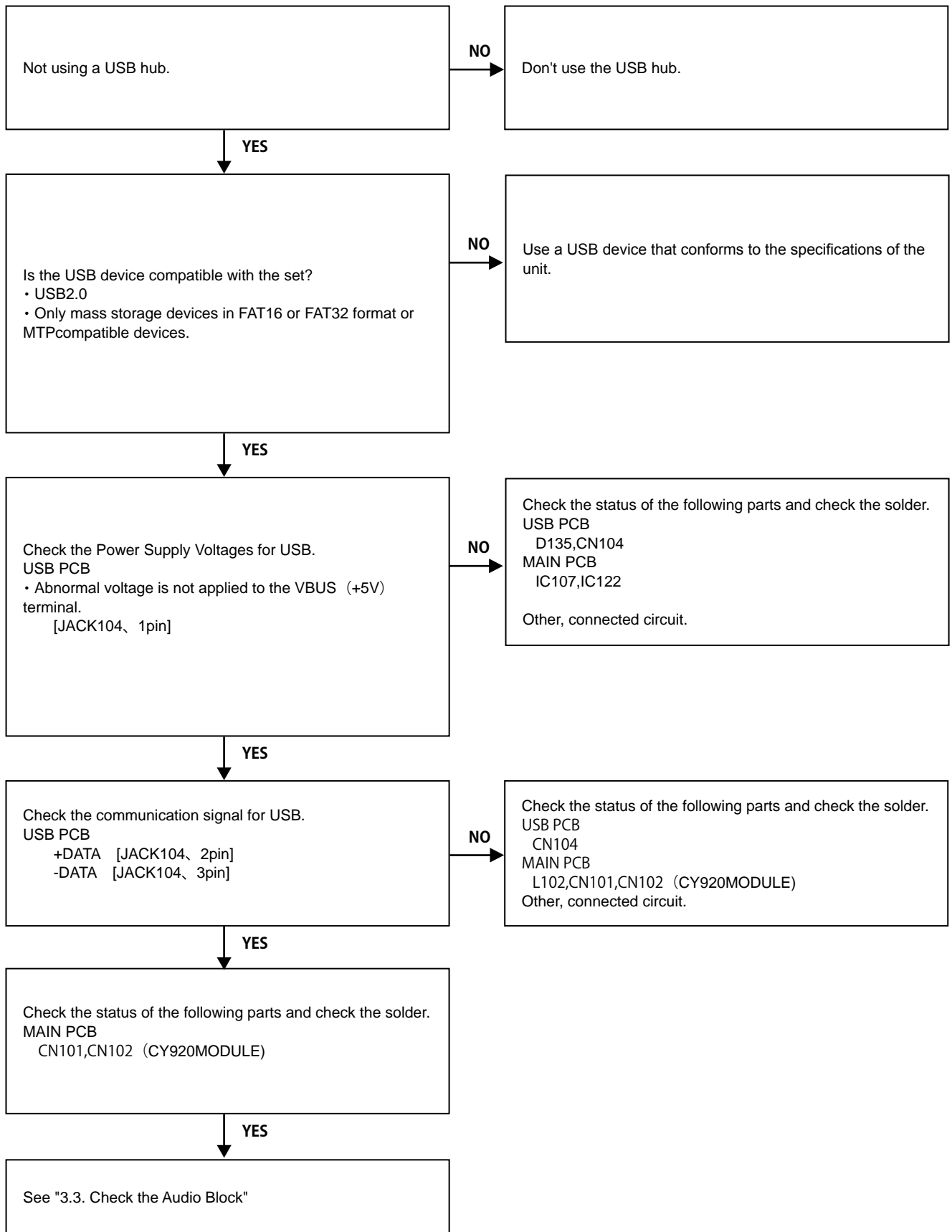
2.2. Cannot connect to network



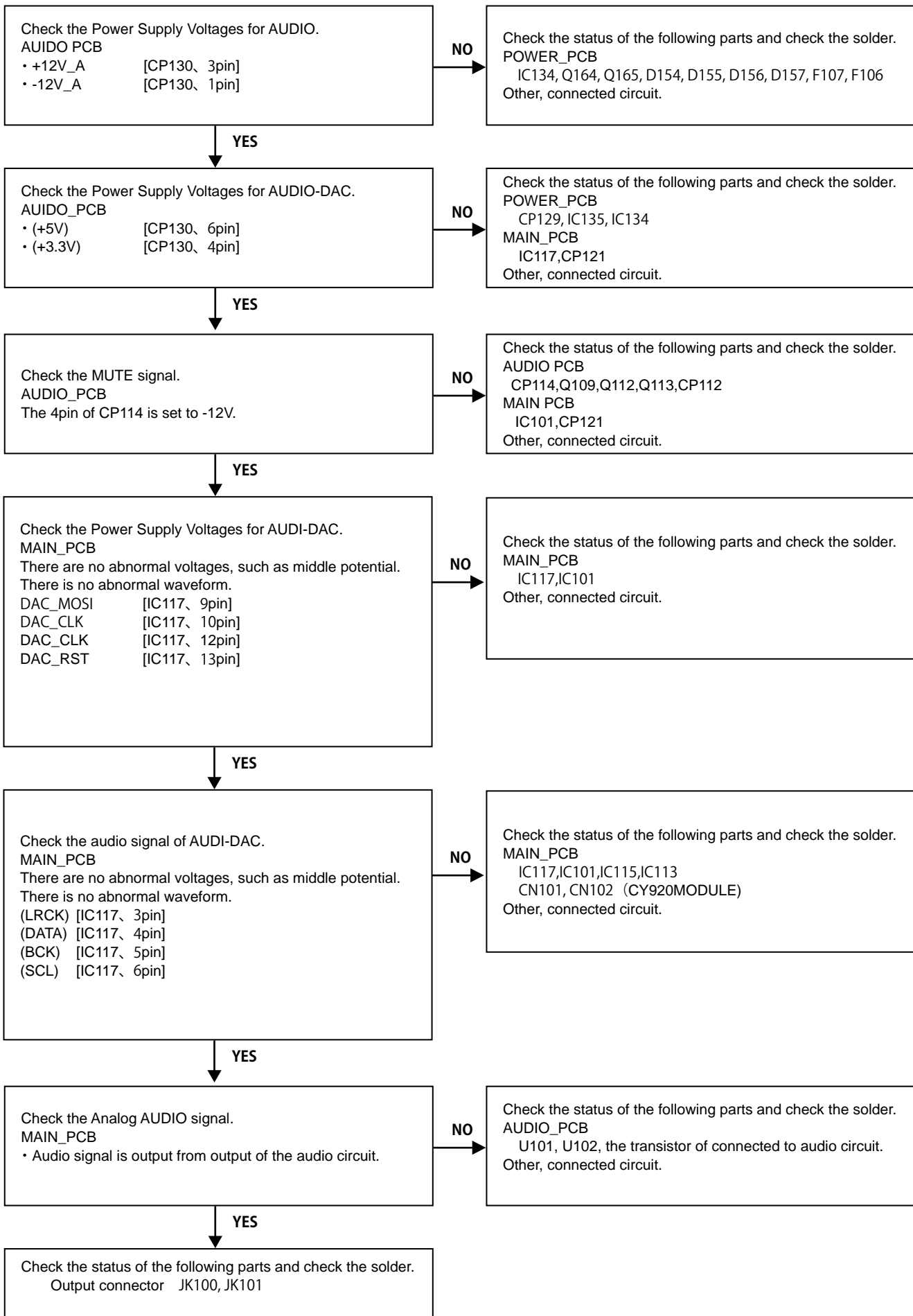
3.1. Optical Output



3.2. USB doesn't playback



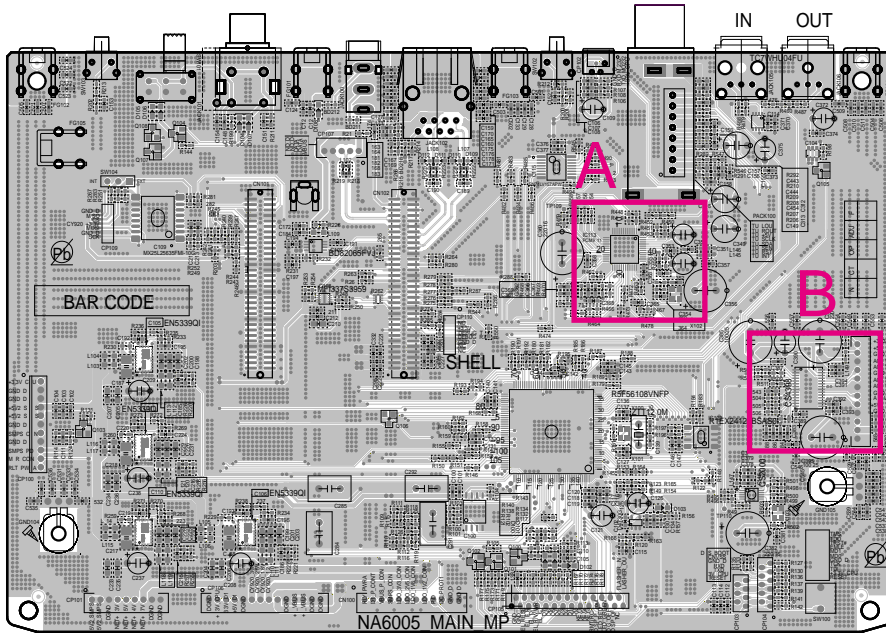
3.3. Check the Audio Block



MEASURING METHOD AND WAVEFORMS

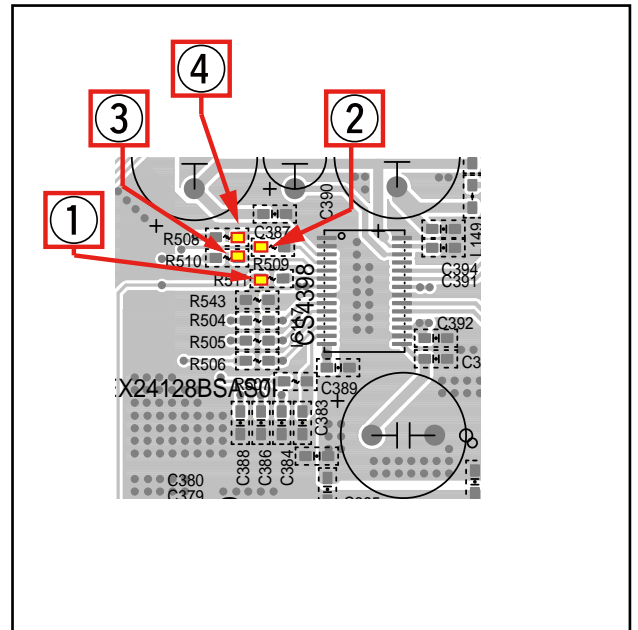
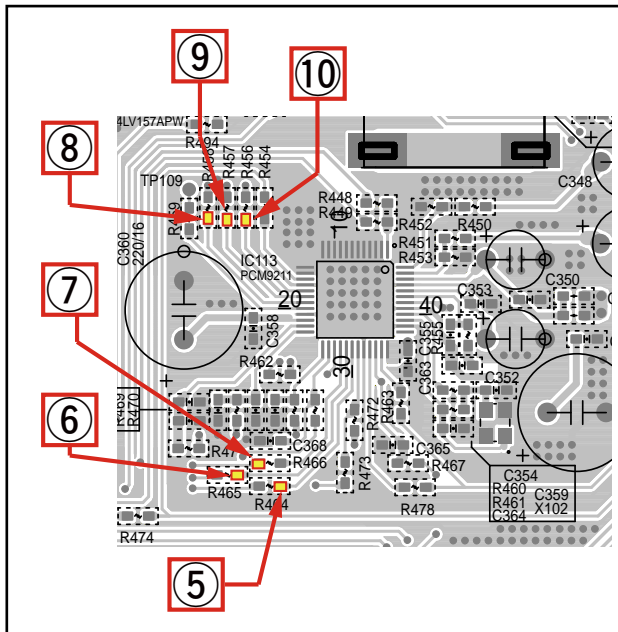
(It is better to use wires for extending between the probe and test points.)

MAIN PCB: TEST POINT



Details A

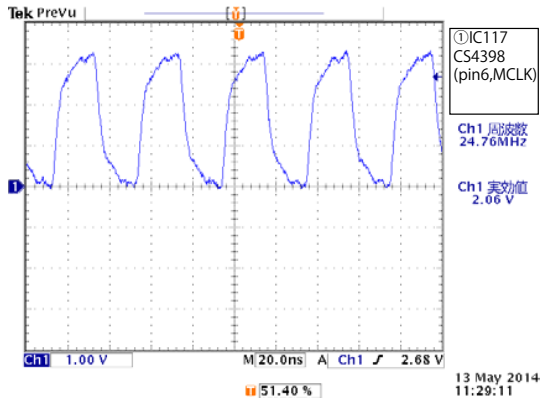
Details B:



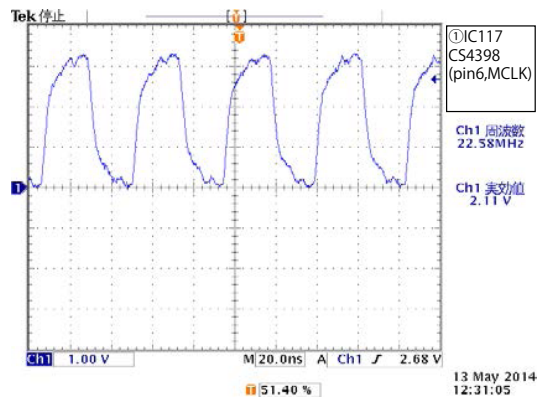
①	IC117	6pin	CS4398	(MCLK)	R511
②	IC117	4pin	CS4398	(SCLK)	R509
③	IC117	5pin	CS4398	(LRCK)	R510
④	IC117	3pin	CS4398	(SDIN)	R508
⑤	IC113	30pin	PCM9211	CY920_PBCK_DBCK	R464
⑥	IC113	29pin	PCM9211	CY920_LRCK	R465
⑦	IC113	28pin	PCM9211	CY920_PDATAL_DSDL	R466
⑧	IC113	19pin	PCM9211	DIR_BCKOUT	R458
⑨	IC113	18pin	PCM9211	DIR_LRCKOUT	R457
⑩	IC113	17pin	PCM9211	DIR_DATAOUT	R456

WAVEFORMS

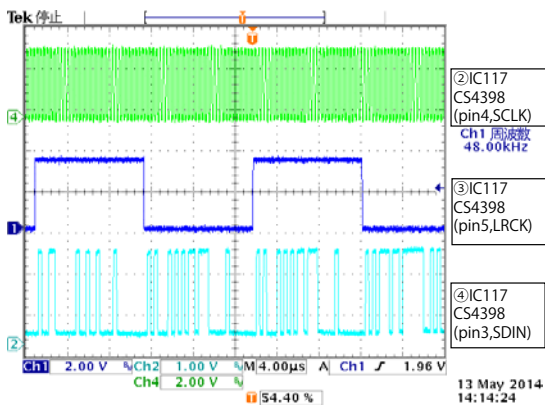
1. MASTER CLOCK (ex. PCM Playback from COAX IN, FS=48K)



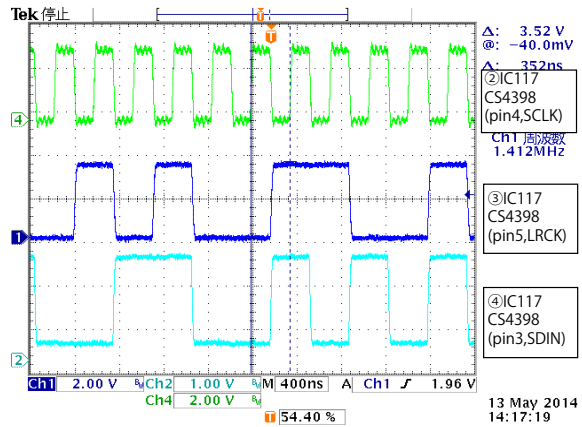
2. MASTER CLOCK (ex. DSD64 Playback from USB)



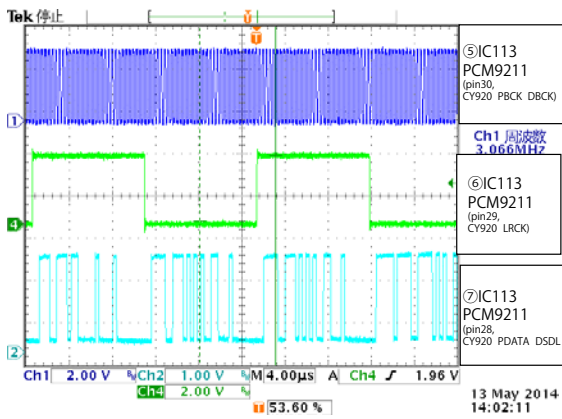
3. I12 Input to DAC, CS4398 (ex. PCM Playback from COAX IN, FS=48K)



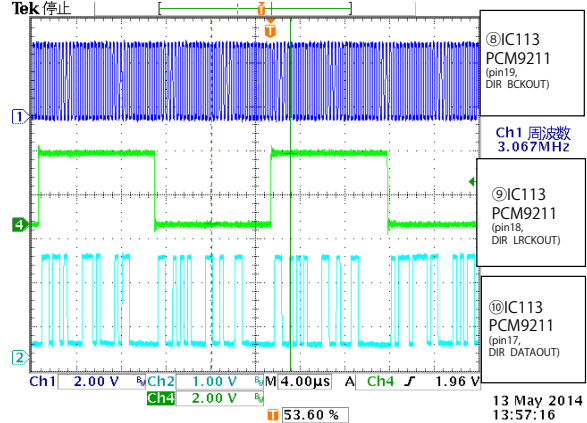
4. DSD64 Input to DAC, CS4398 (ex. DSD64 Playback from USB)



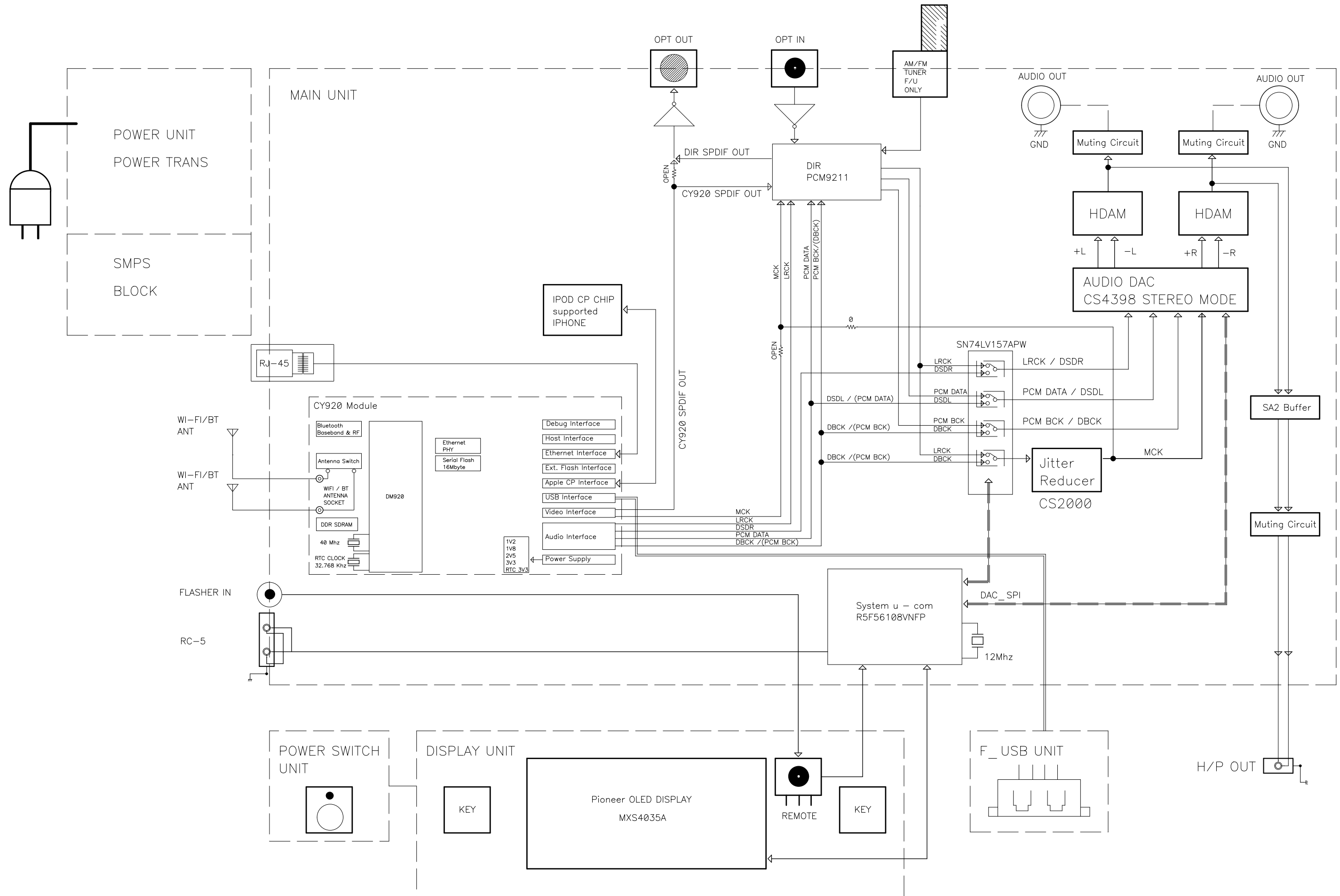
5. PLD INPUT I12 (ex. PCM from COAX IN, FS=48K)



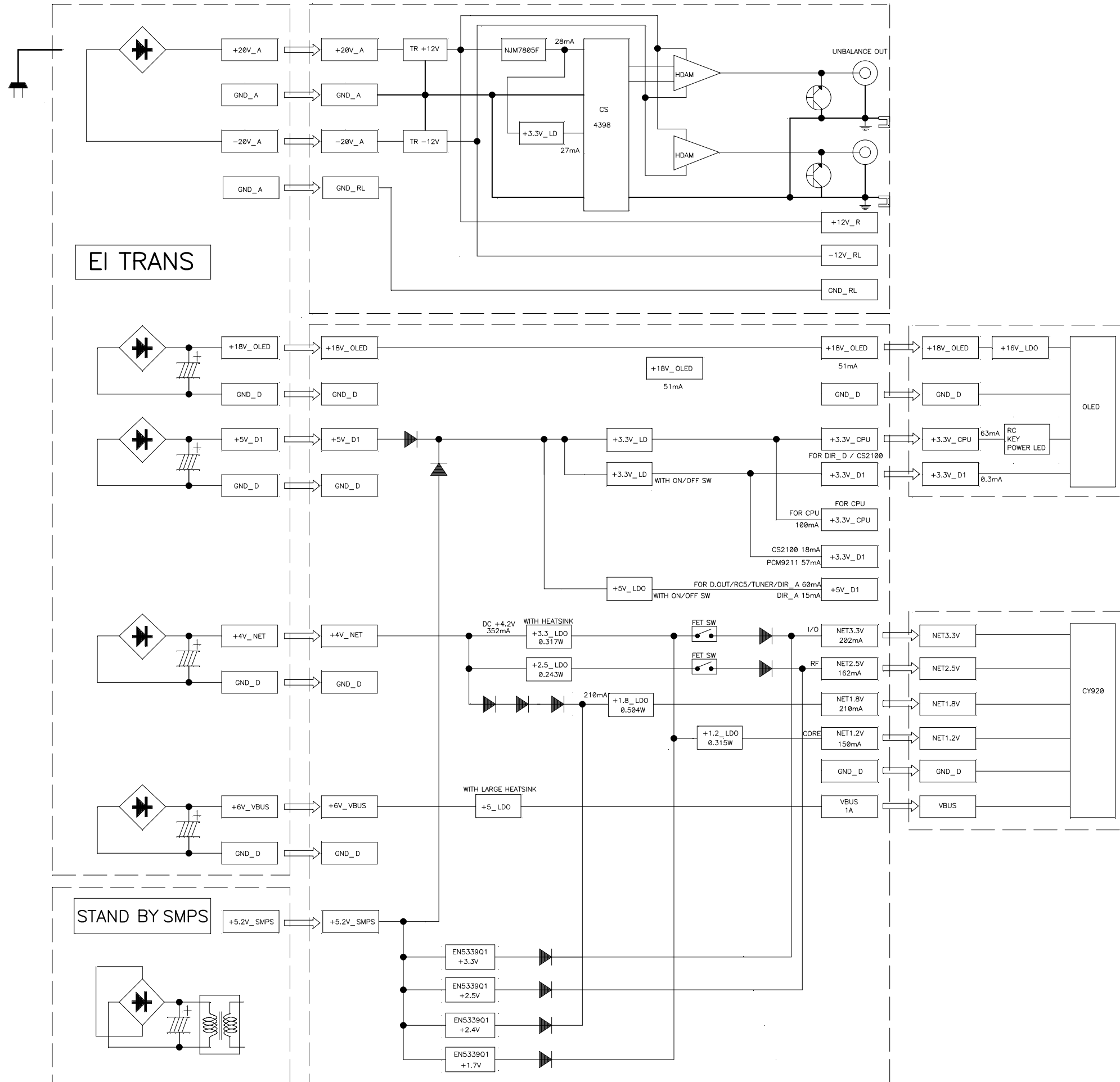
6. PLD OUTPUT I12 (ex. PCM from COAX IN, FS=48K)



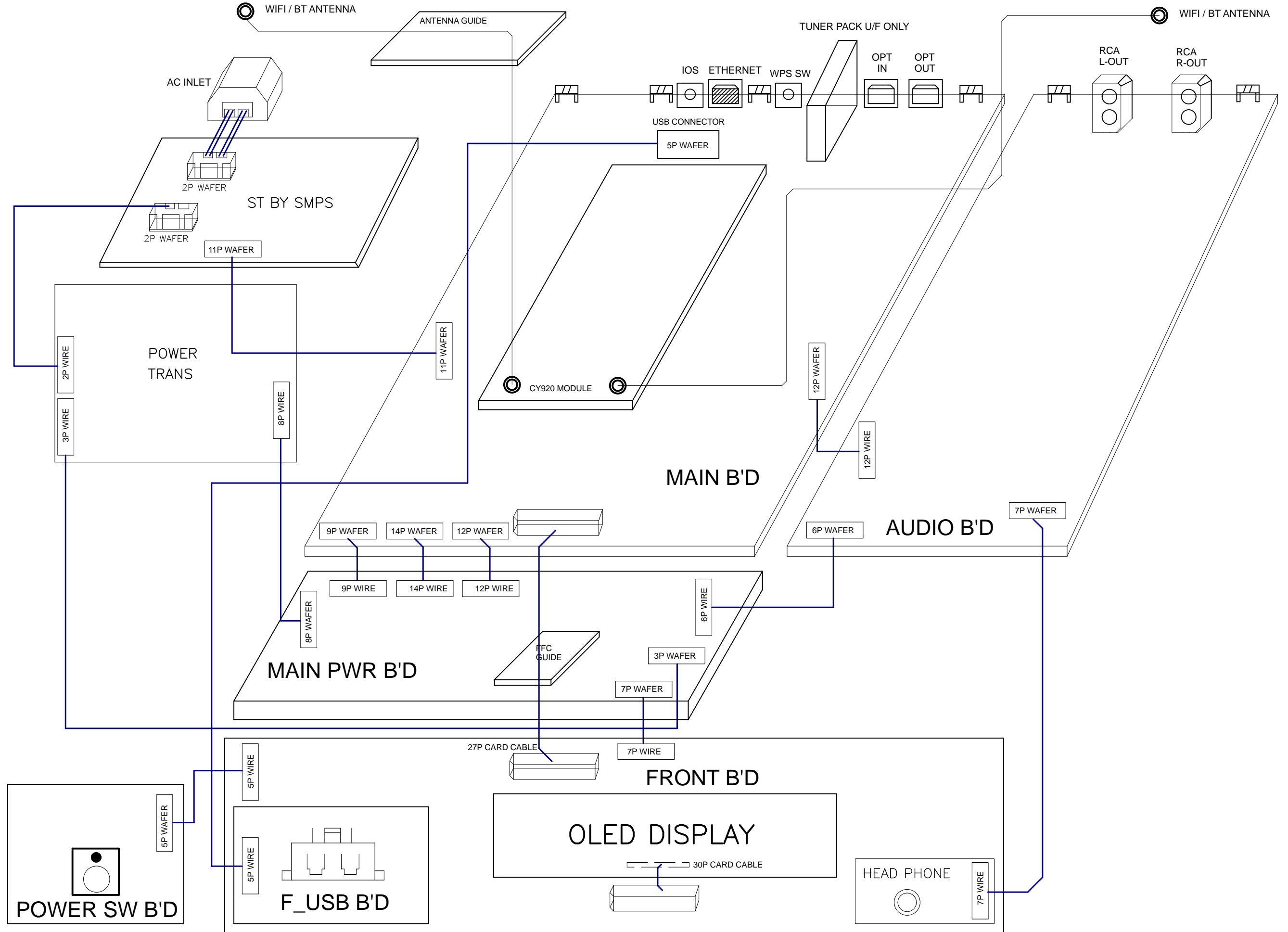
BLOCK DIAGRAM



POWER DIAGRAM



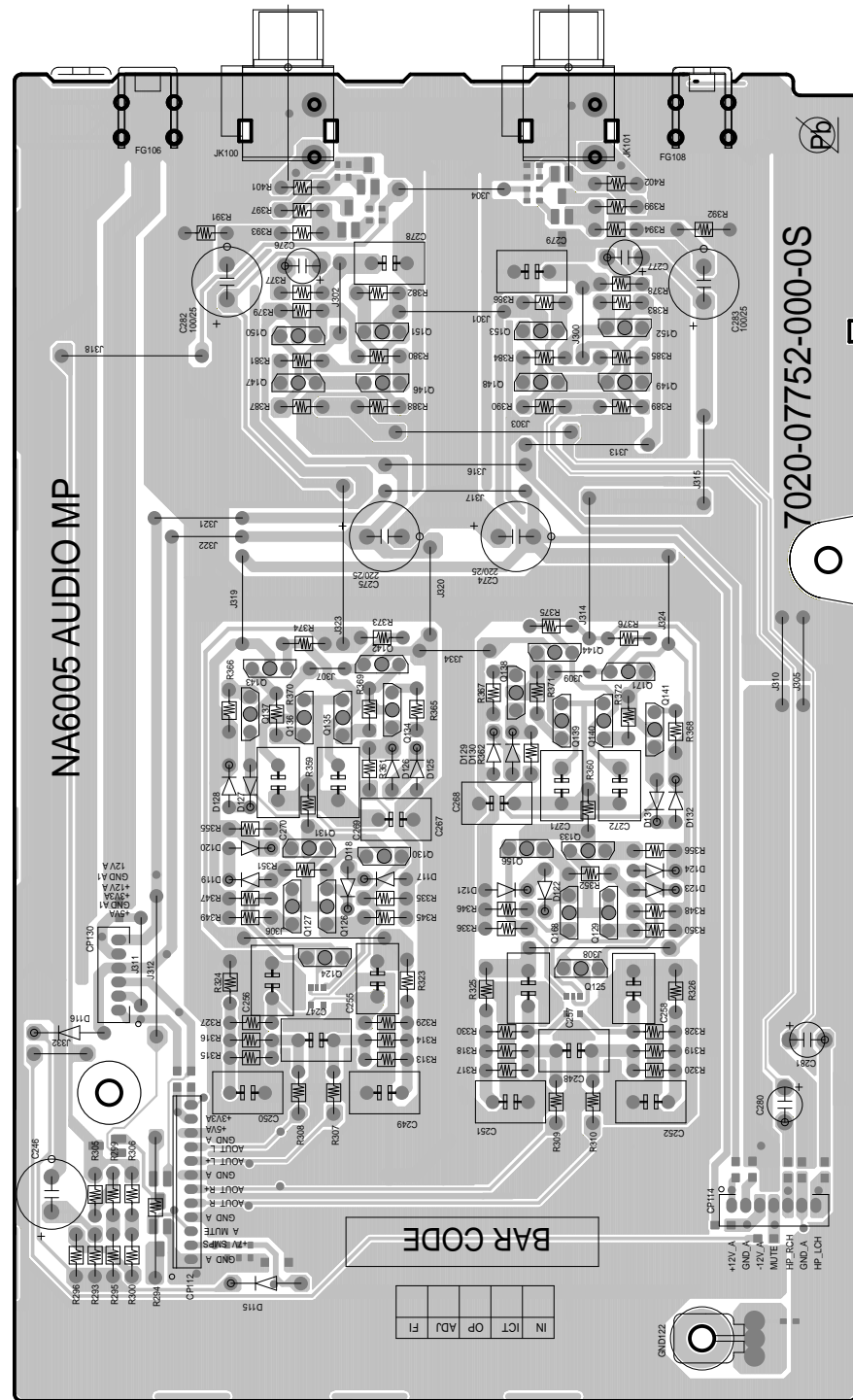
WIRING DIAGRAM



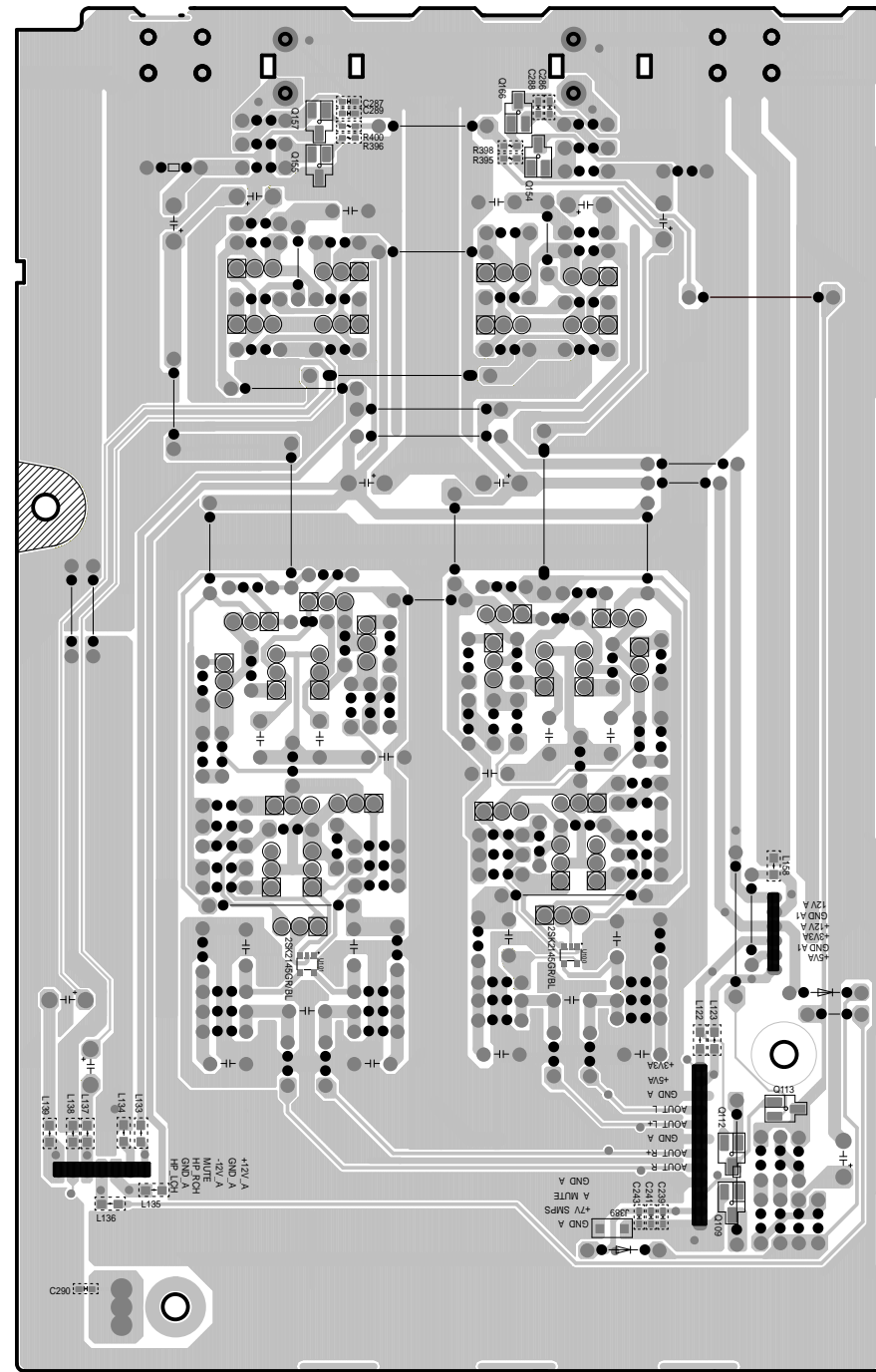
PRINTED CIRCUIT BOARDS

Lead-free Solder
When soldering, use the Lead-free Solder (Sn-Ag-Cu).

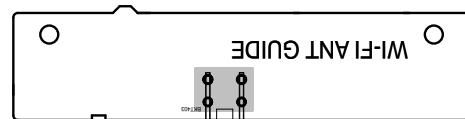
AUDIO
(A SIDE)



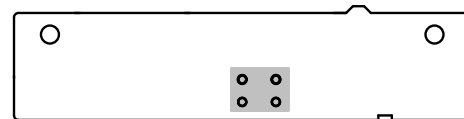
AUDIO
(B SIDE)



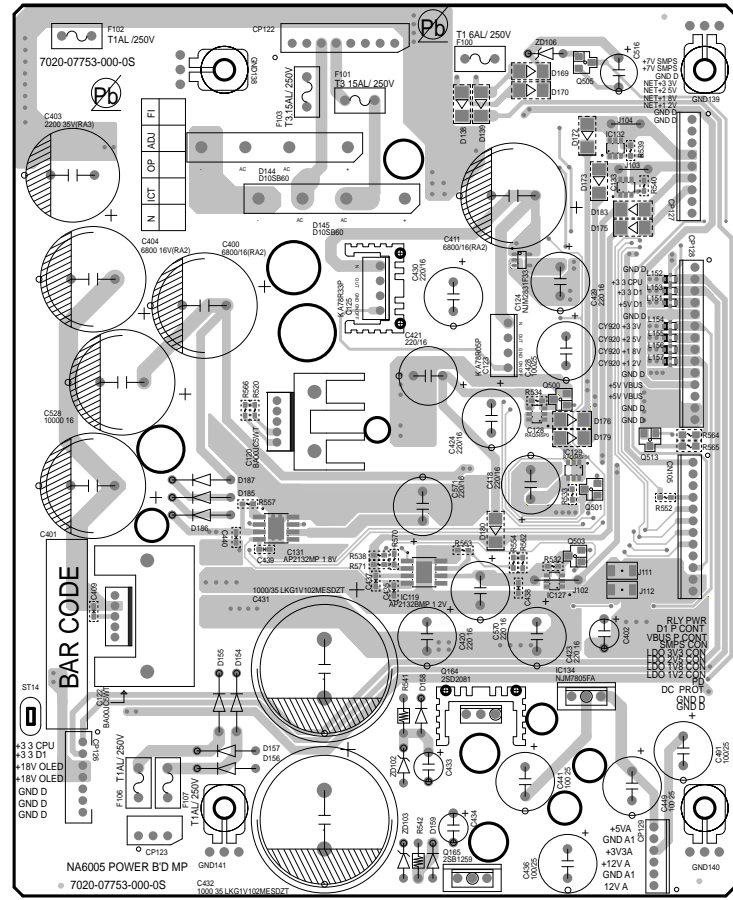
Wi-Fi ANT GUIDE
(A SIDE)



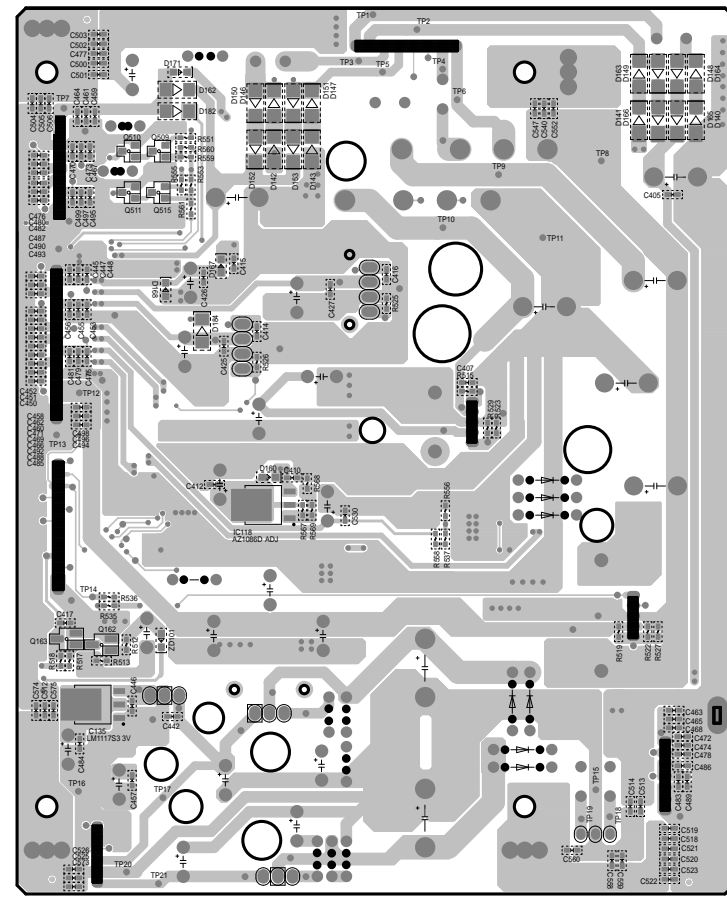
Wi-Fi ANT GUIDE
(B SIDE)



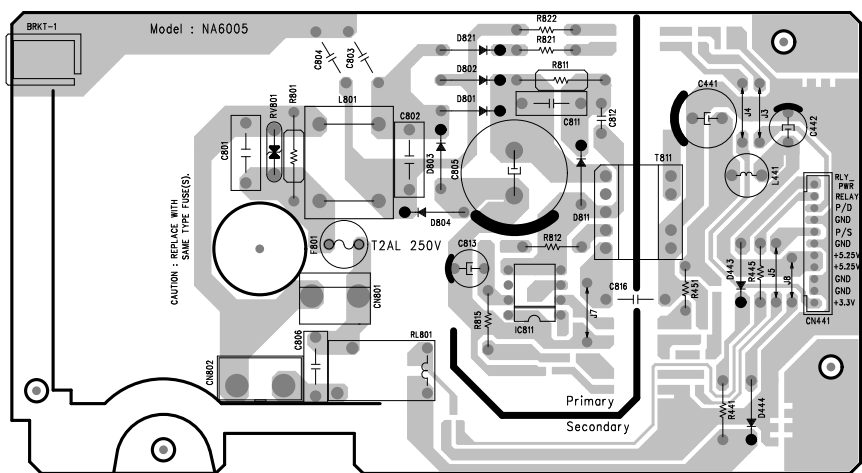
**POWER
(A SIDE)**



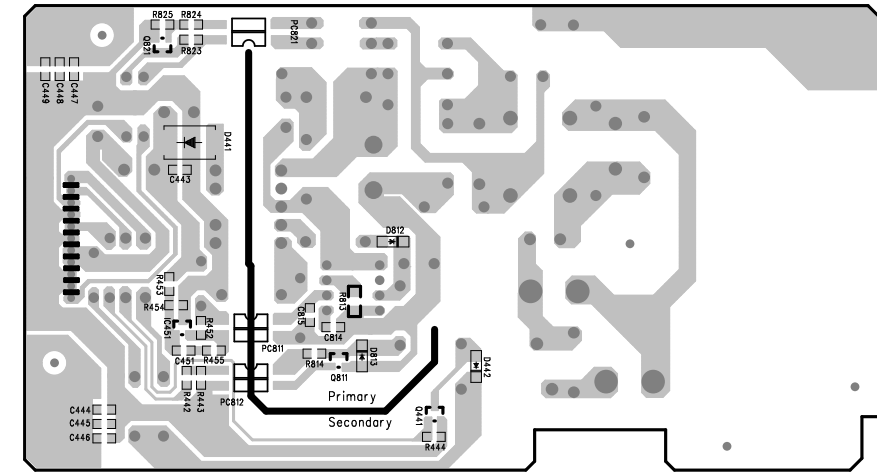
**POWER
(B SIDE)**



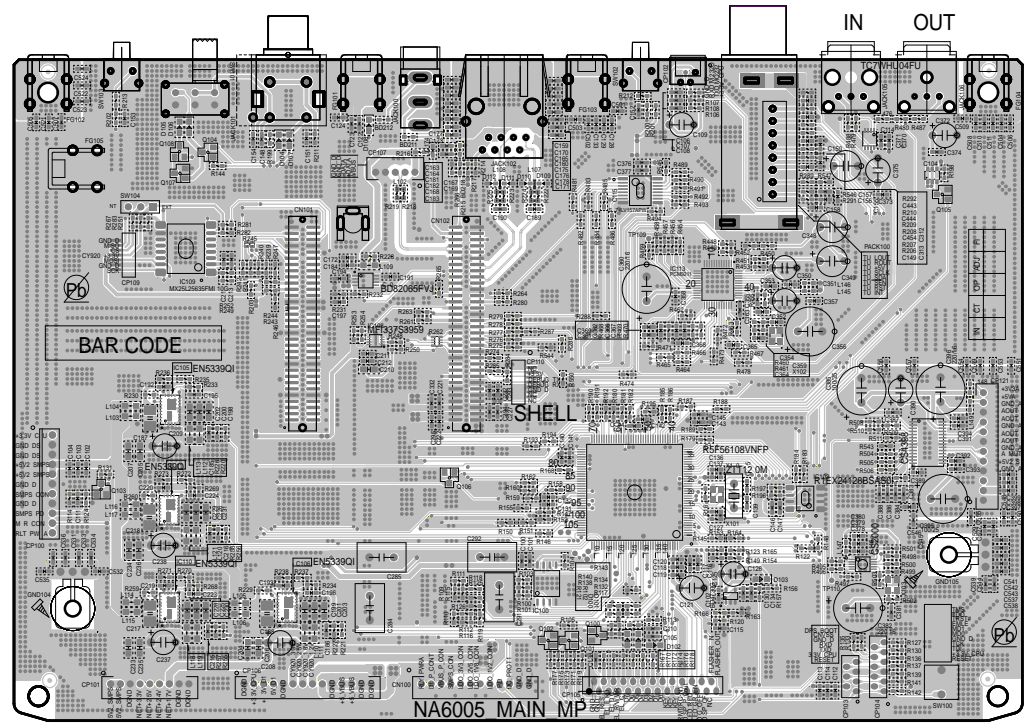
**SMPS
(A SIDE)**



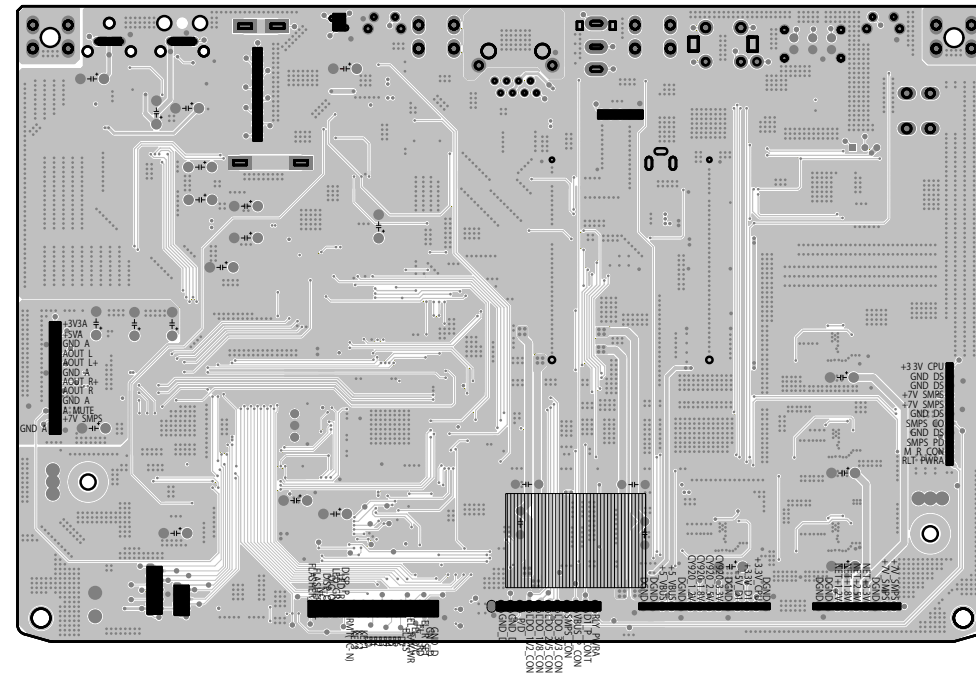
**SMPS
(B SIDE)**



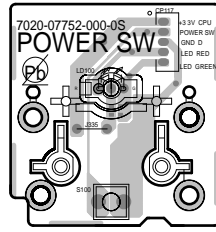
DIGITAL
(A SIDE)



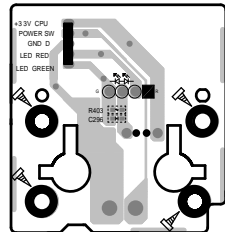
DIGITAL
(B SIDE)



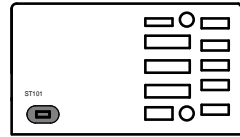
POWER SW
(A SIDE)



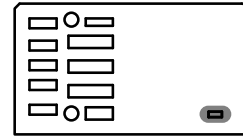
POWER SW
(B SIDE)



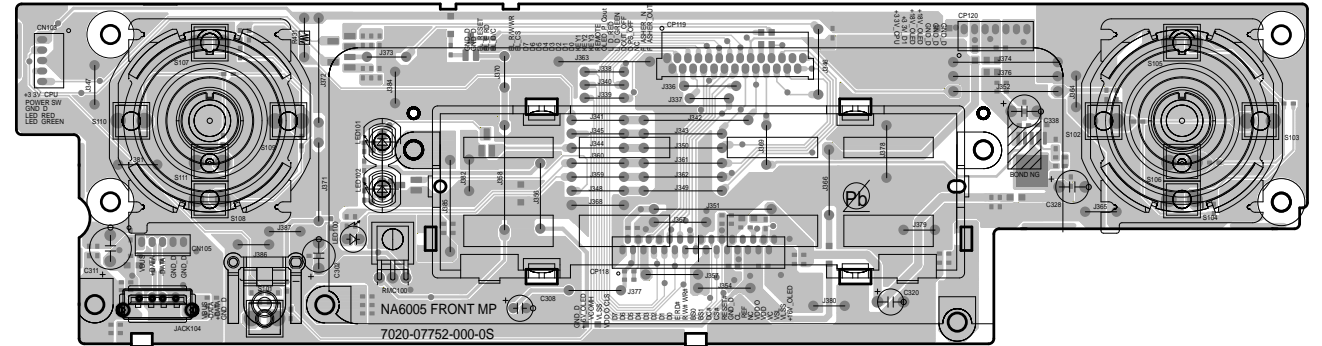
FFC GUIDE
(A SIDE)



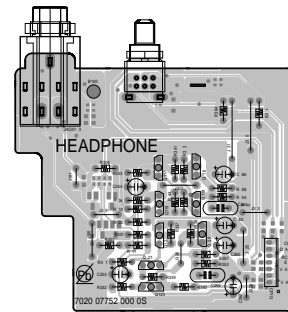
FFC GUIDE
(B SIDE)



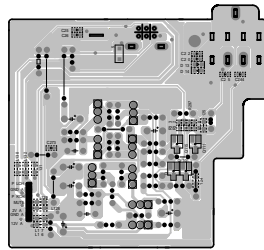
FRONT
(A SIDE)



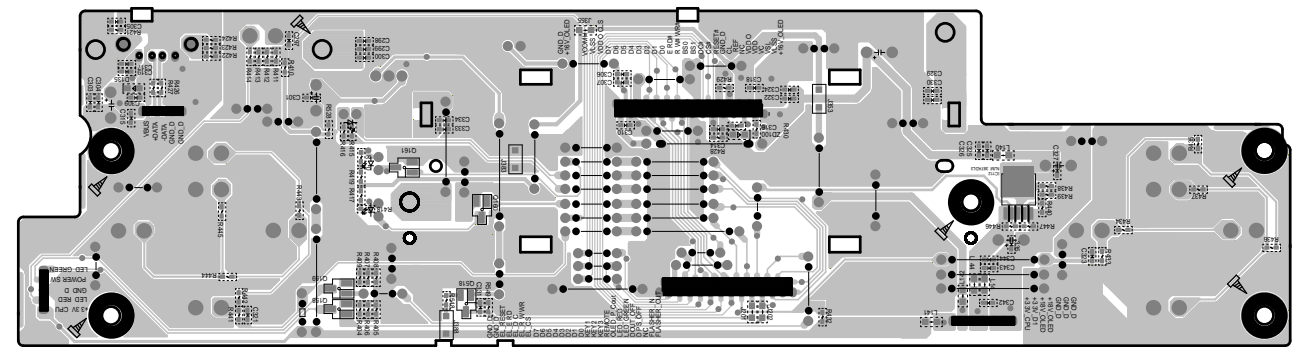
PHONE
(A SIDE)



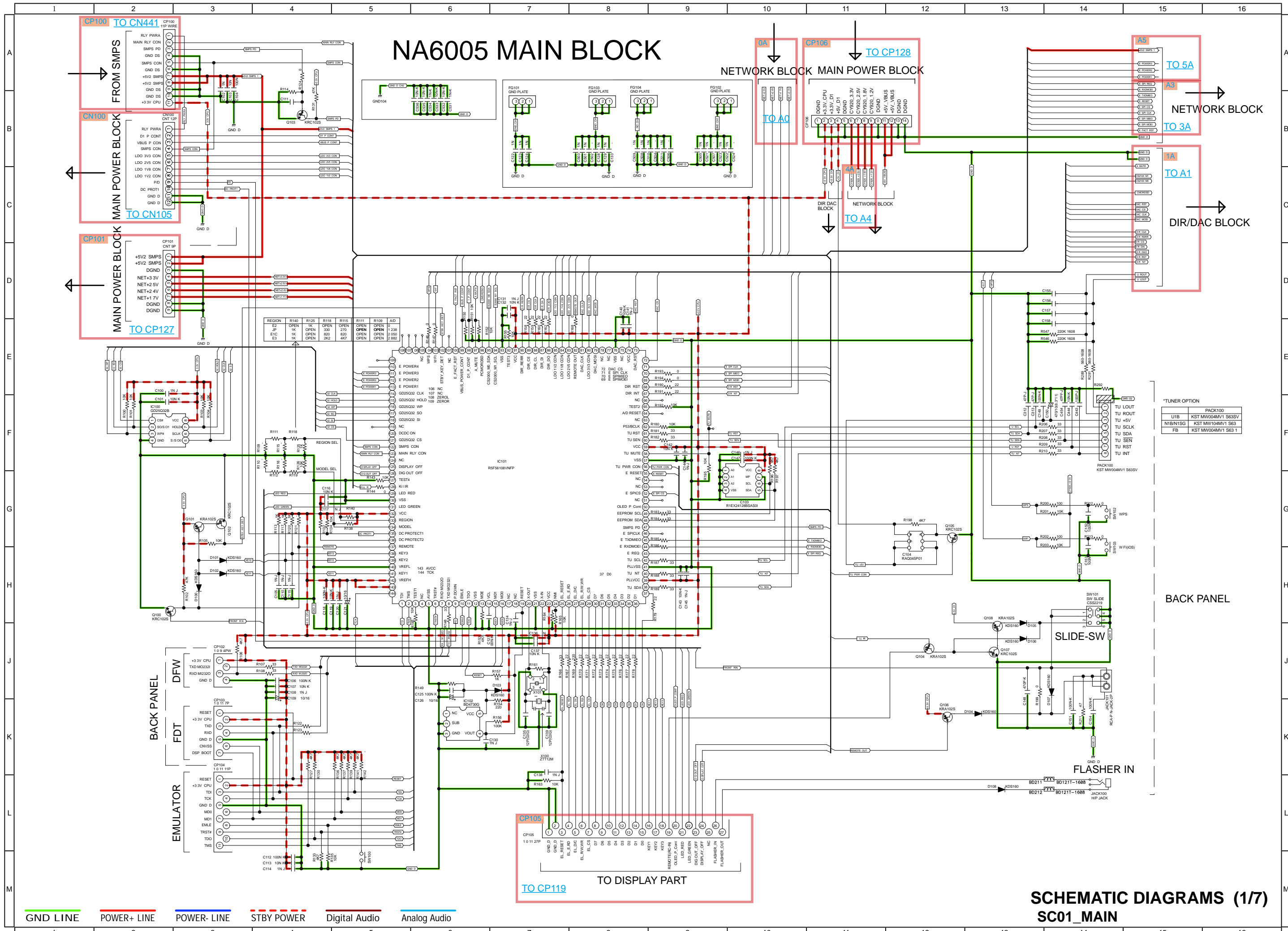
PHONE
(B SIDE)



FRONT
(B SIDE)



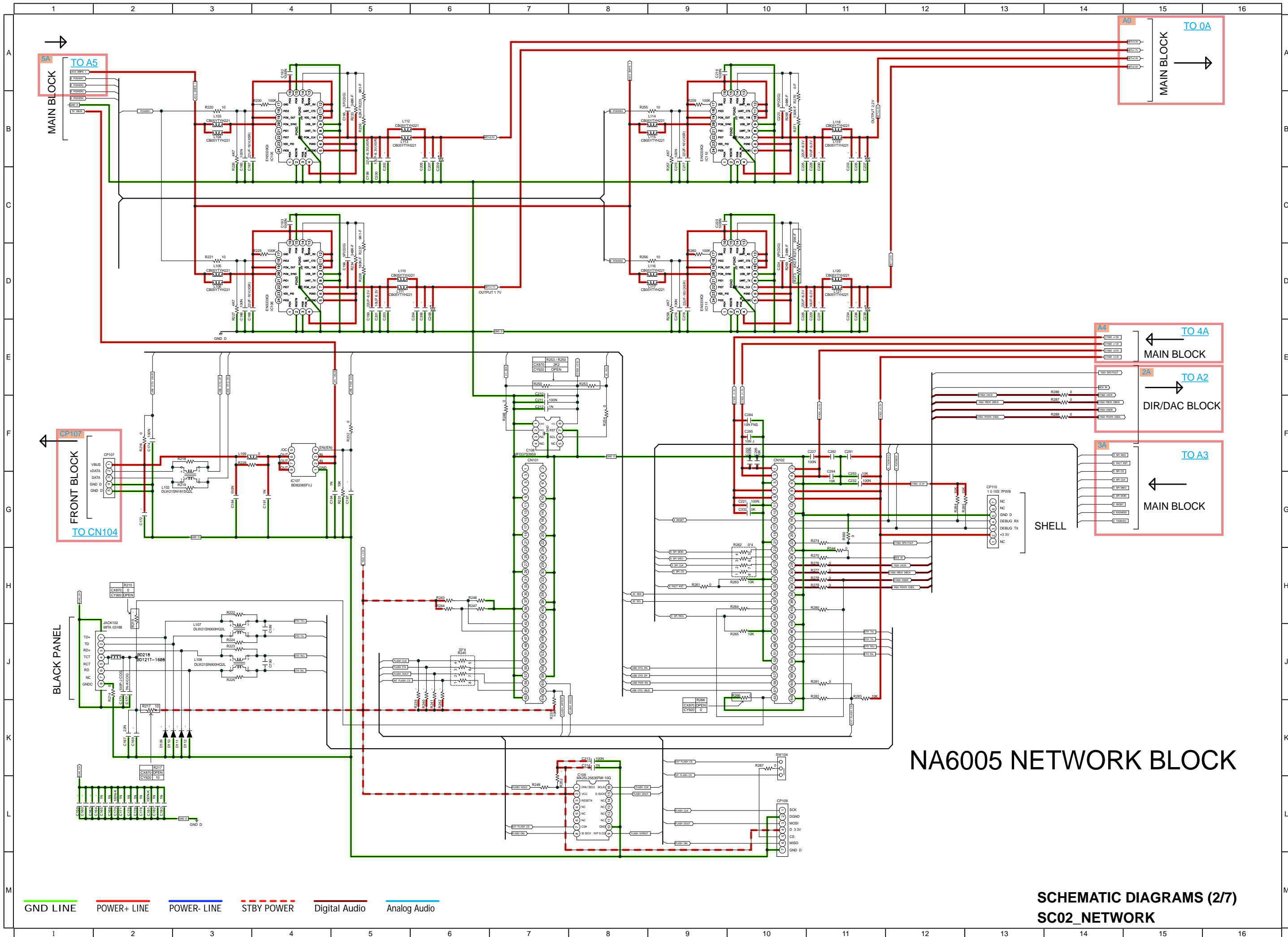
NA6005 MAIN BLOCK



*TUNER OPTION

U1/B	PACK100
N1B/N1/S3	KST MW004M/V1 S63SV
FB	KST MW004M/V1 S63
	KST MW004M/V1 S63.1

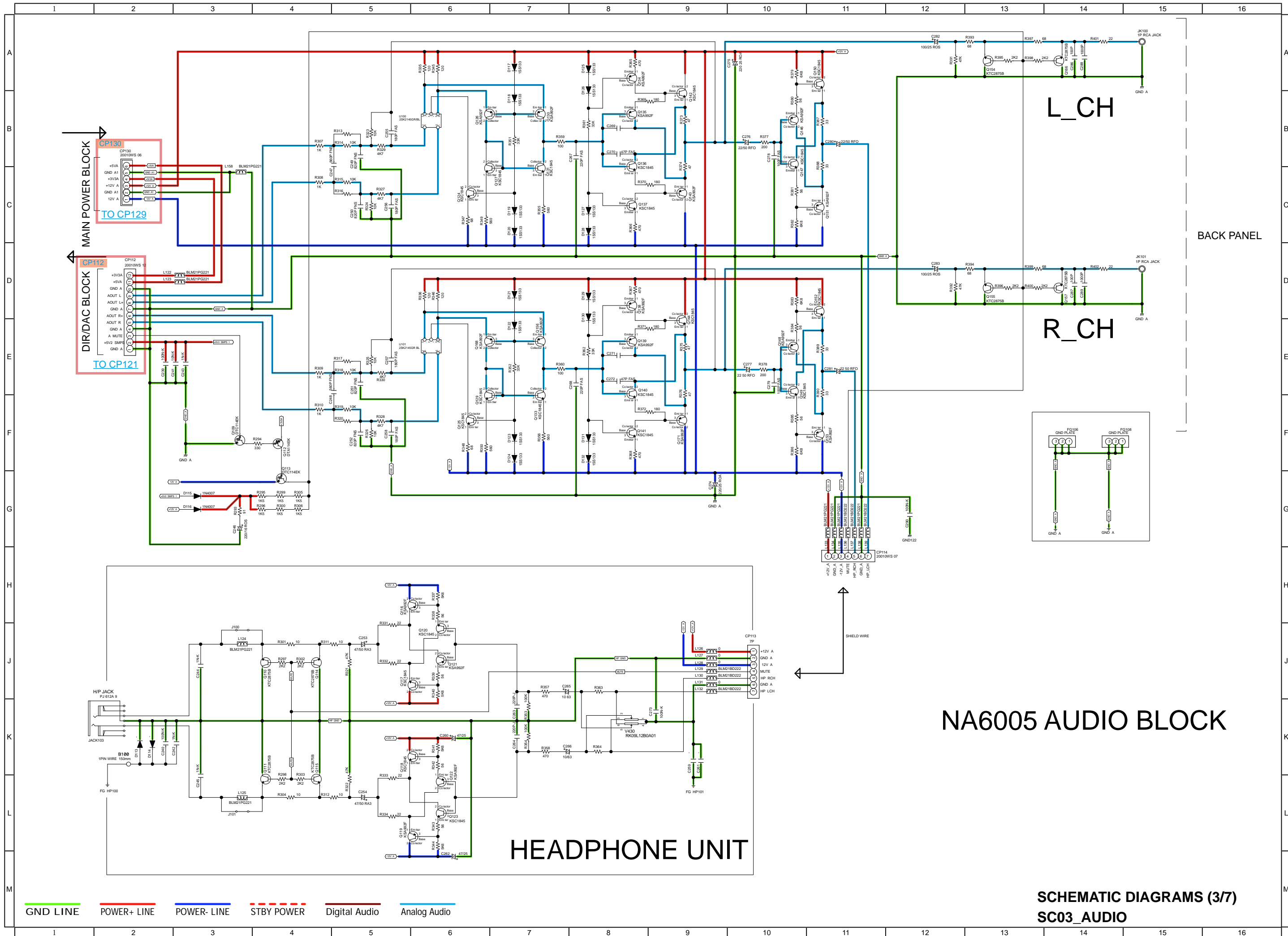
SCHEMATIC DIAGRAMS (1/7)
SC01_MAIN



NA6005 NETWORK BLOCK

— GND LINE
 — POWER+ LINE
 — POWER- LINE
 - - - STBY POWER
 Digital Audio
 Analog Audio

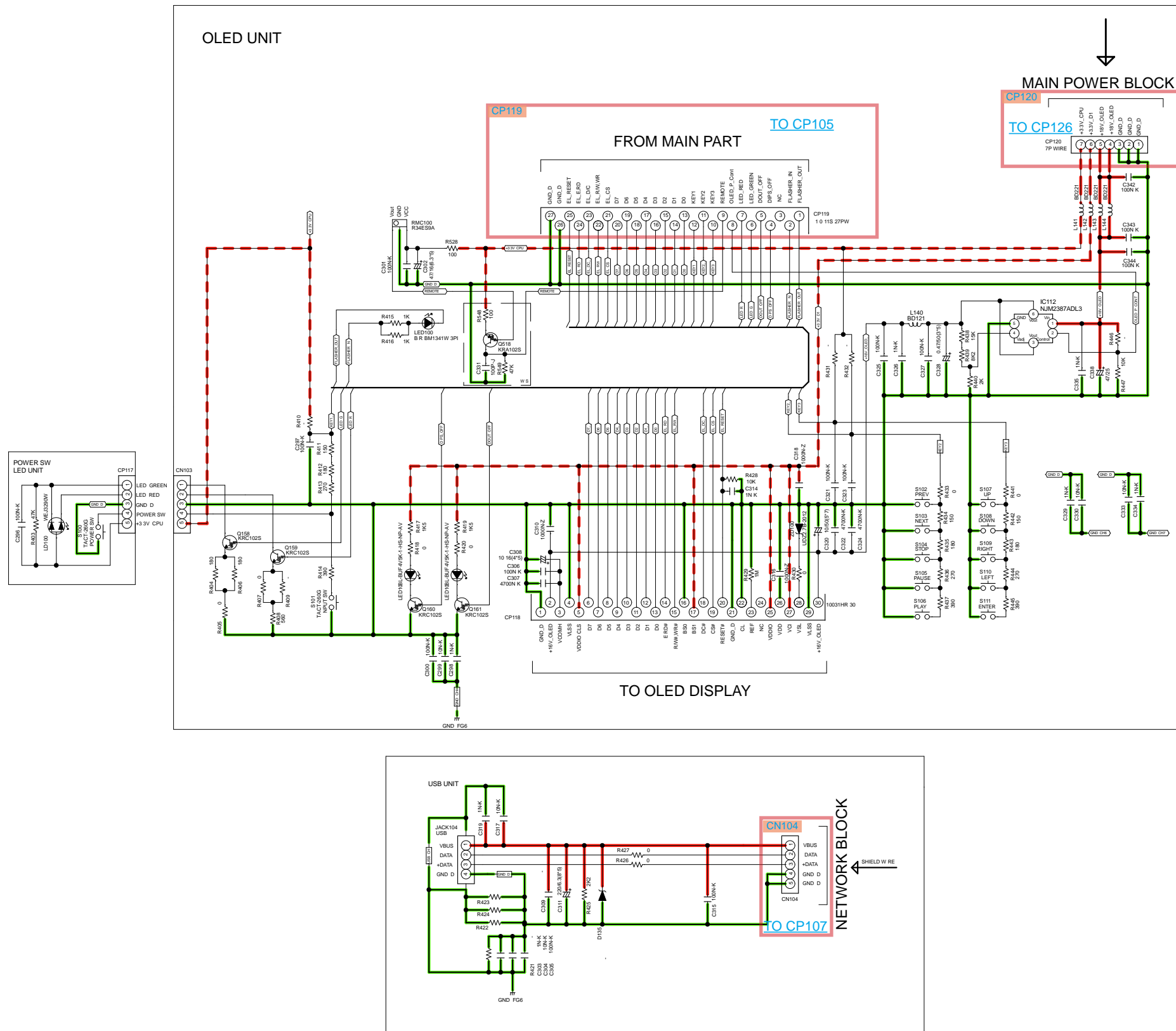
SCHEMATIC DIAGRAMS (2/7)
SC02_NETWORK



NA6005 AUDIO BLOCK

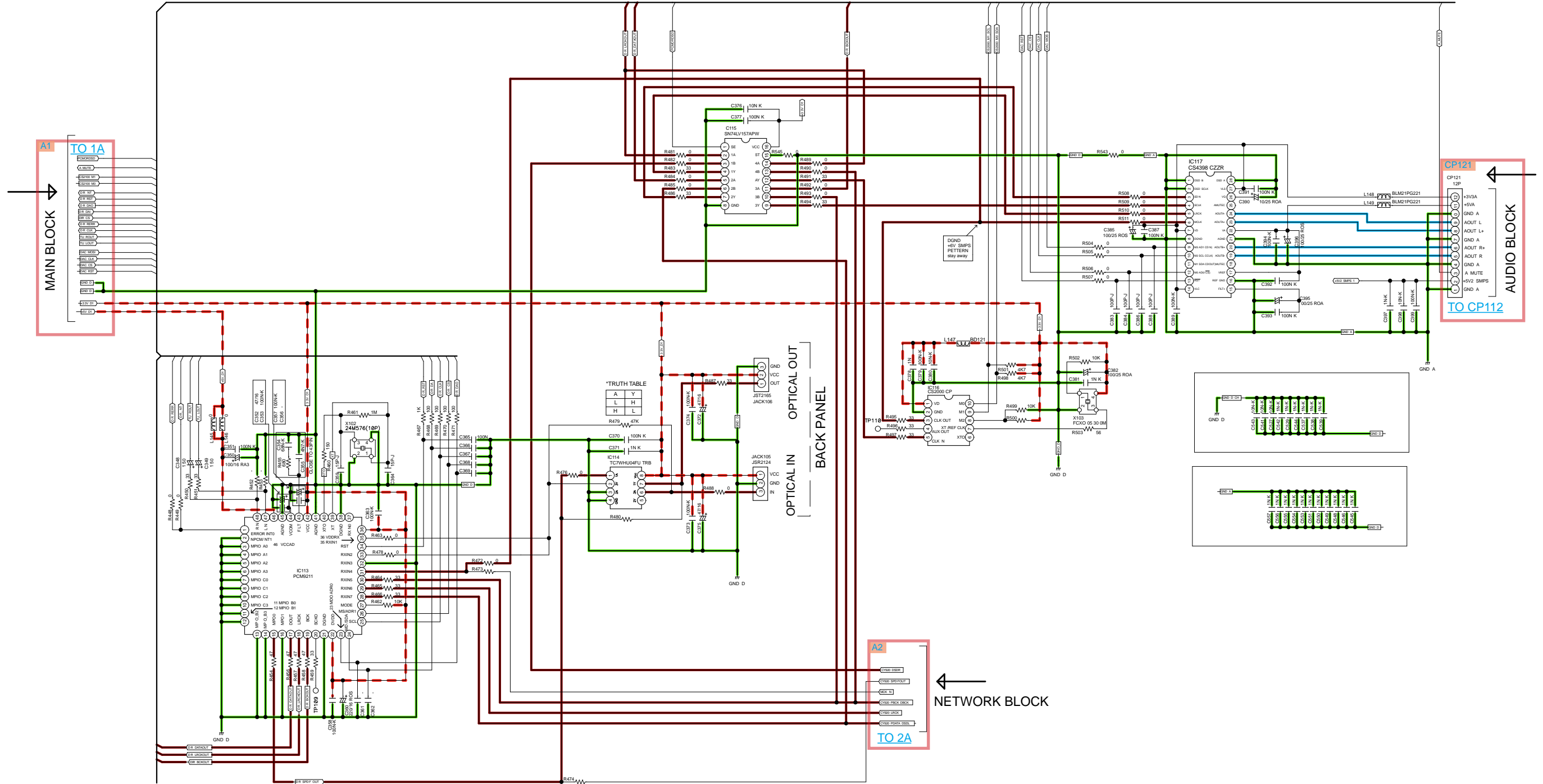
SCHEMATIC DIAGRAMS (3/7) SC03_AUDIO

NA6005 FRONT BLOCK



SCHEMATIC DIAGRAMS (4/7)
SC04_FRONT

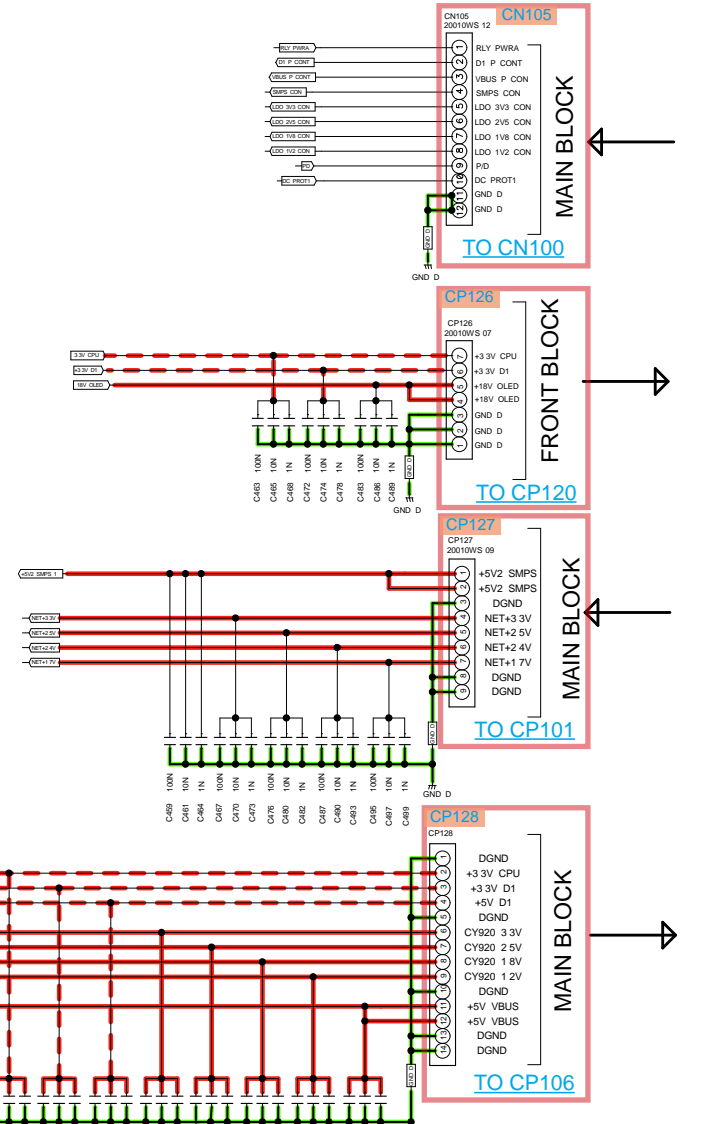
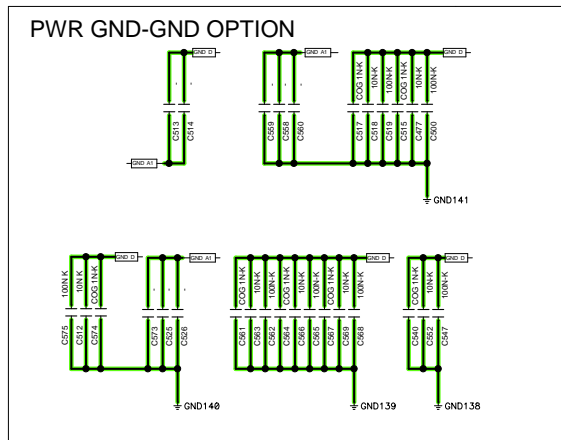
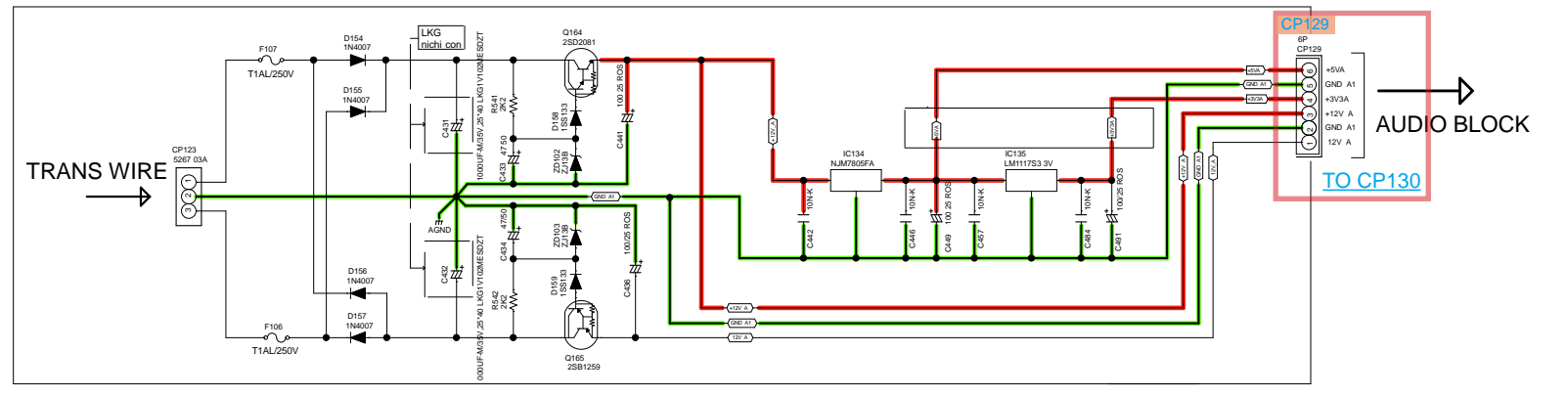
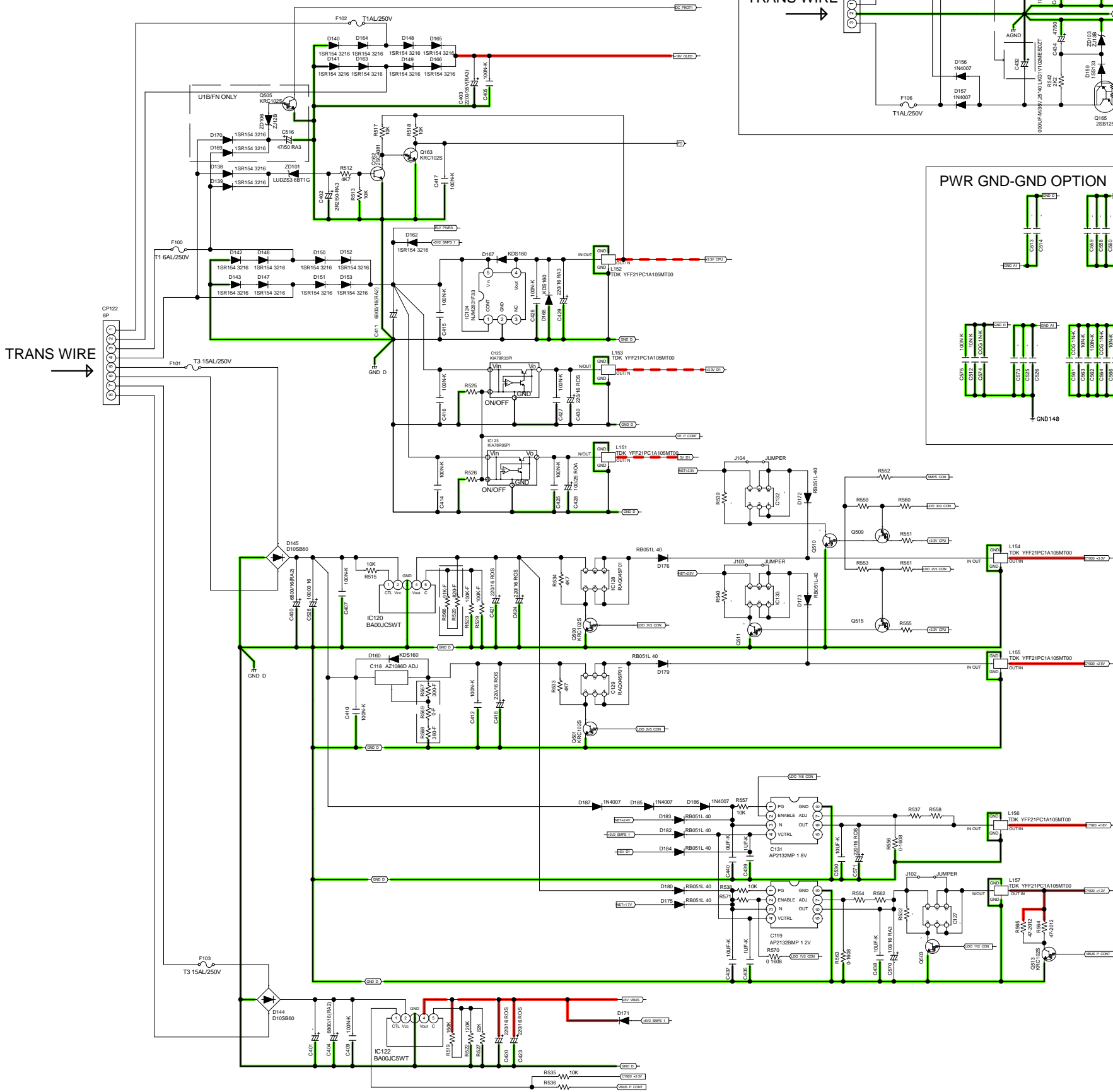
NA6005 DIR/DAC BLOCK



— GND LINE
 — POWER+ LINE
 — POWER- LINE
 - - - STBY POWER
 — Digital Audio
 — Analog Audio

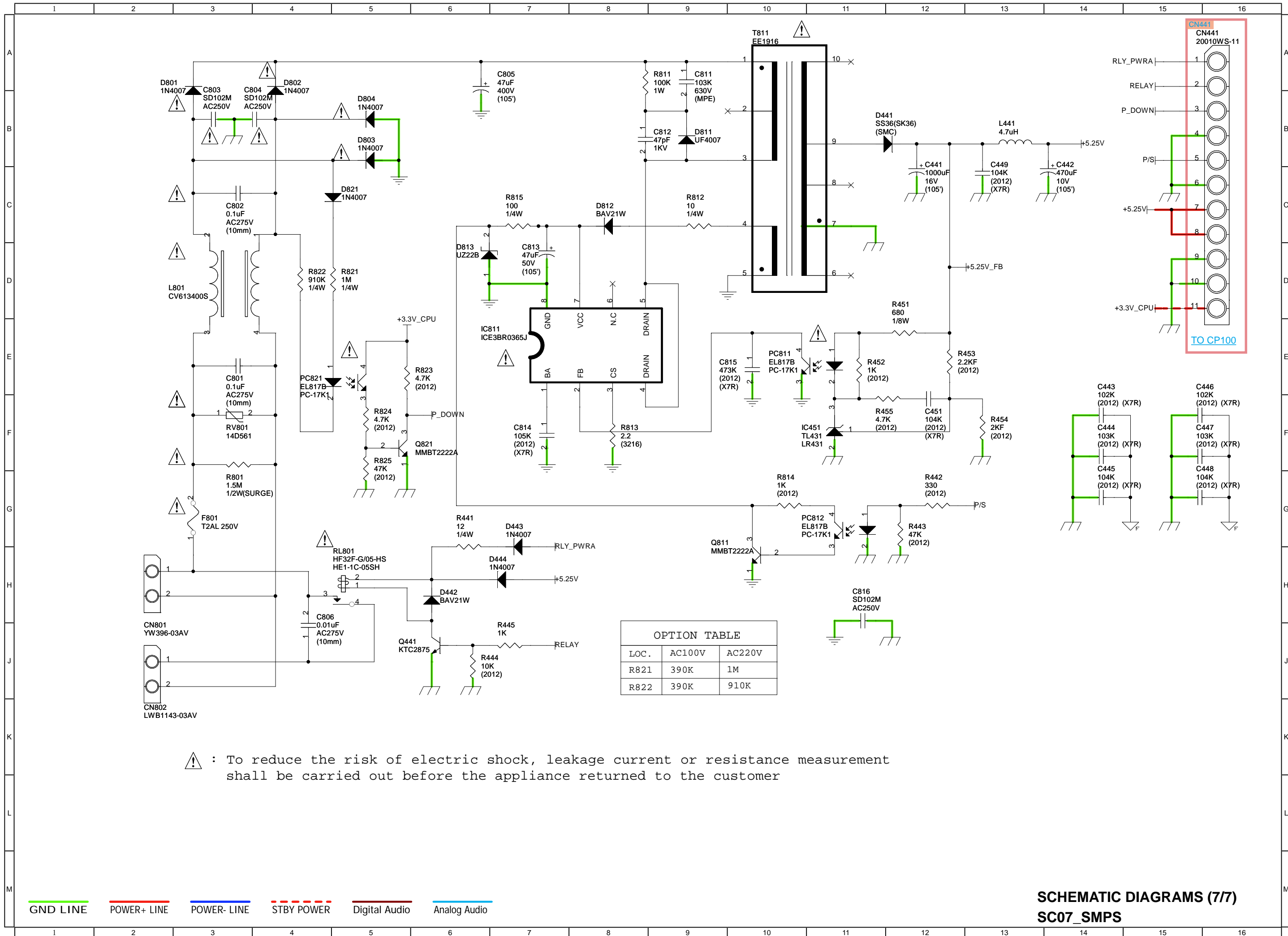
SCHEMATIC DIAGRAMS (5/7)
SC05_DIR_DAC

NA6005 MAIN POWER BLOCK



— GND LINE
 — POWER+ LINE
 — POWER- LINE
 - - - STBY POWER
 — Digital Audio
 — Analog Audio

SCHEMATIC DIAGRAMS (6/7)
SC06_MAIN_POWER



OPTION TABLE

LOC.	AC100V	AC220V
R821	390K	1M
R822	390K	910K

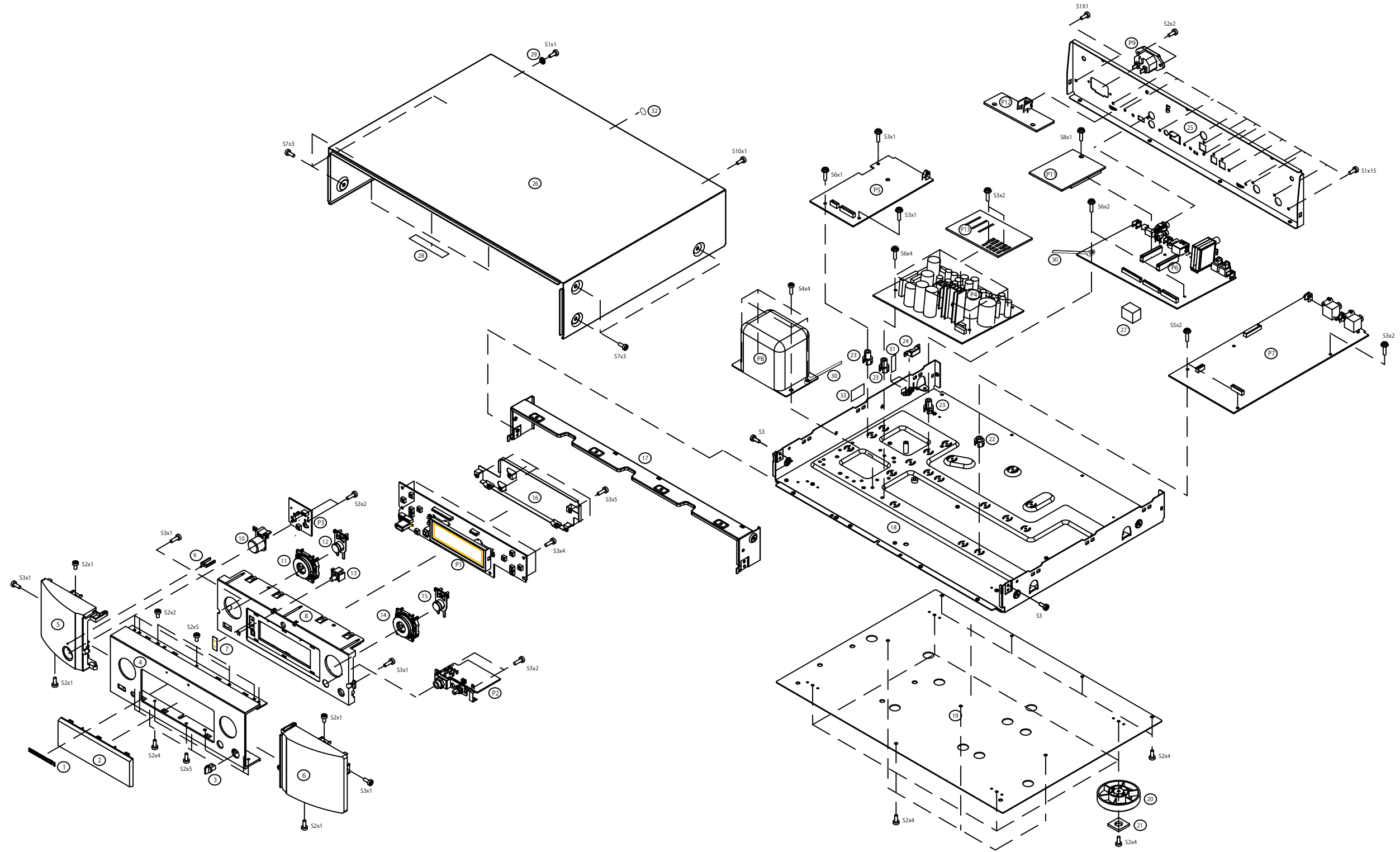
⚠ : To reduce the risk of electric shock, leakage current or resistance measurement shall be carried out before the appliance returned to the customer


GND LINE POWER+ LINE POWER- LINE STBY POWER Digital Audio Analog Audio

SCHEMATIC DIAGRAMS (7/7)
SC07_SMPS

EXPLODED VIEW

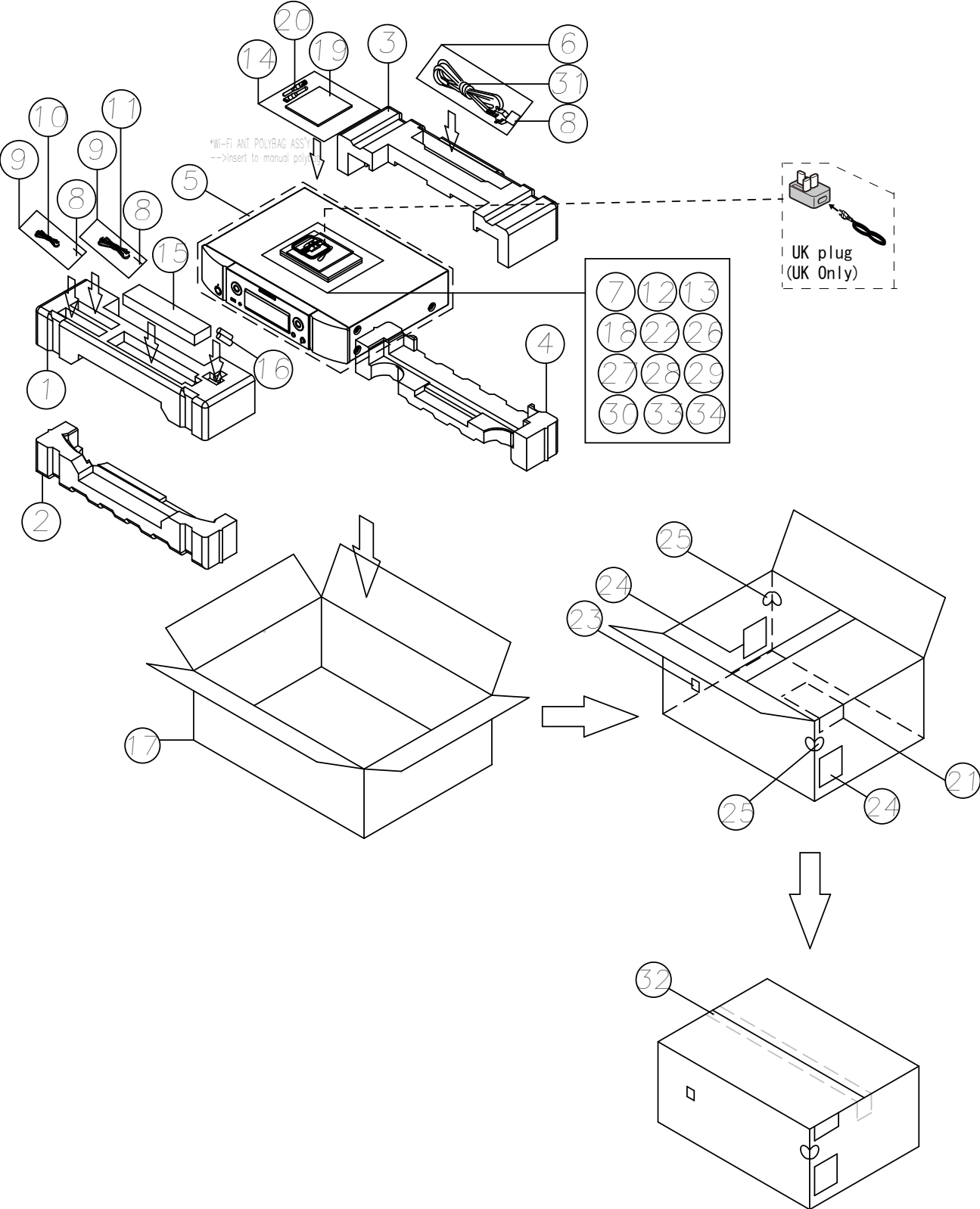
Please refer to the last chapter for the part list.



WARNING:
Parts marked with this symbol  have critical characteristics.
Use ONLY replacement parts recommended by the manufacturer.

PACKING VIEW

Please see the last chapter for the part list.



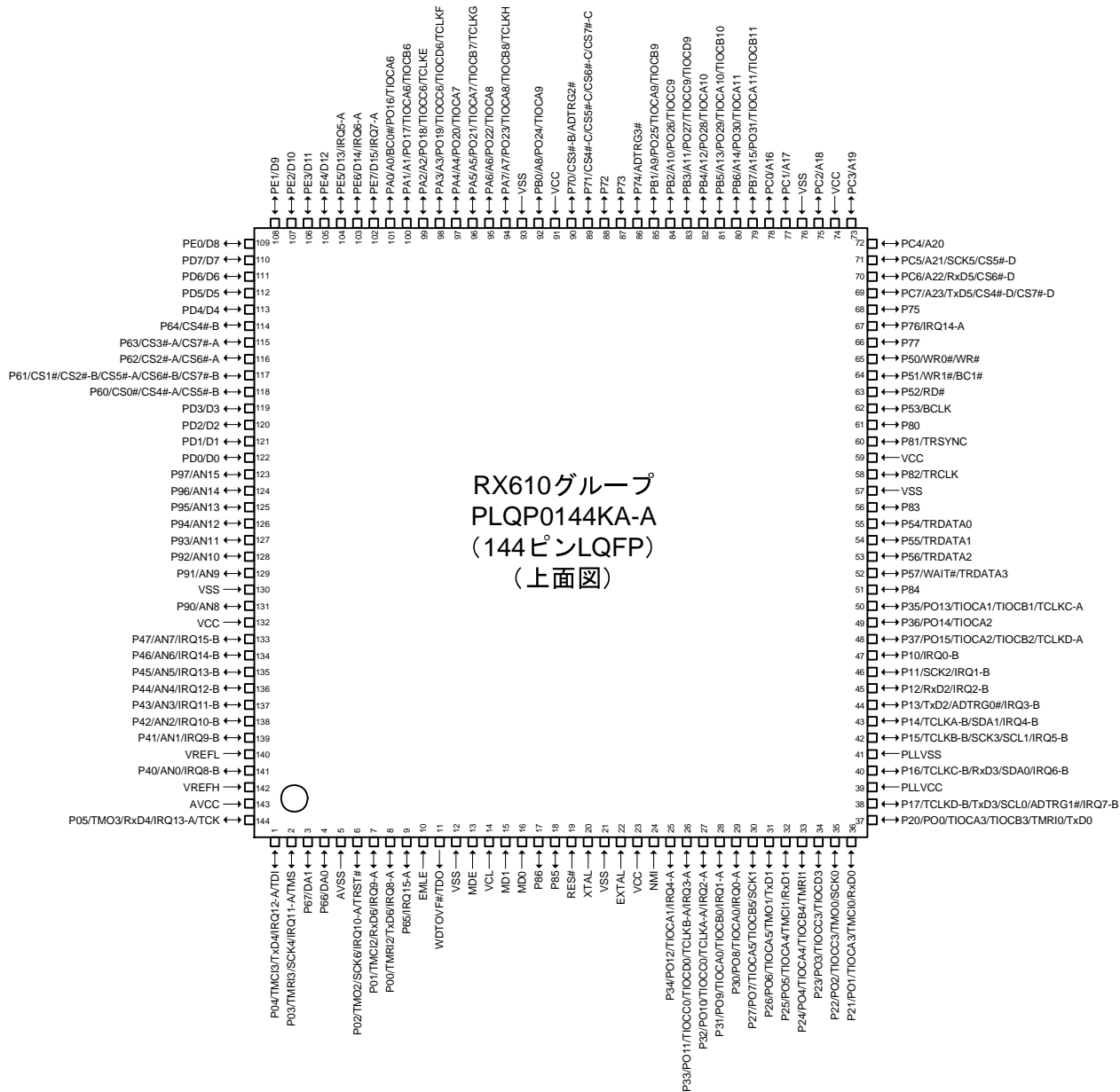
SEMICONDUCTORS

Only major semiconductors are shown, general semiconductors etc. are omitted to list.

The semiconductor which described a detailed drawing in a schematic diagram are omitted to list.

1. IC's

R5F56108VNFP (MAINI : IC101)



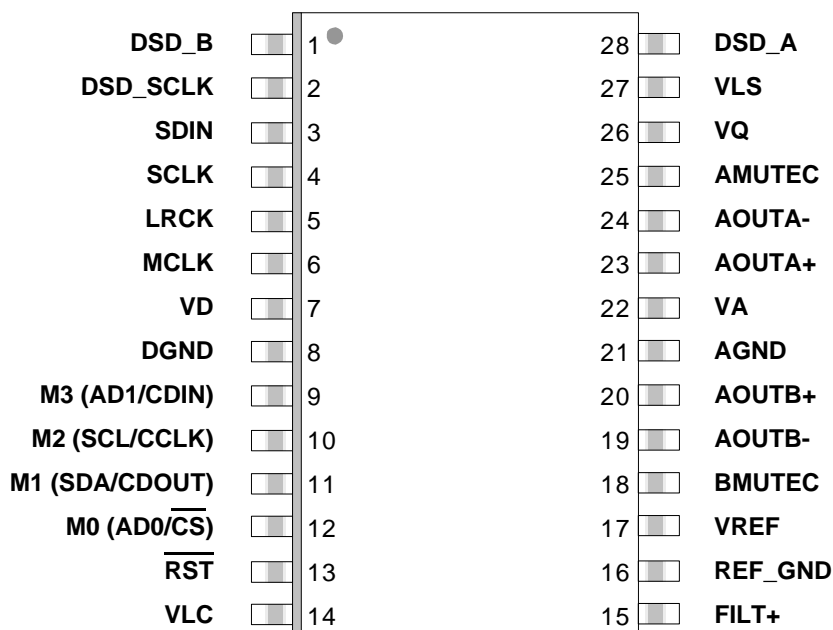
R5F56108VNFP Terminal Functions

Pin	Port Name	PD/ PU	I/ O	STANDBY MODE			NOTE
				STBY	Network STBY	Eco STBY	
1	TDI	PU	I	I	I	I	EMULATOR CONNECTION TERMINAL
2	TMS	PU	I	I	I	I	EMULATOR CONNECTION TERMINAL
3	TEST1	PD	I	I	I	I	BOARD CHECK MODE INPUT PORT
4	OPEN		O	O/L	O/L	O/L	OPEN
5	AVSS	-	-	-	-	-	GND
6	TRST#	PD	I	I	I	I	EMULATOR CONNECTION TERMINAL
7	RXD MI232O	PU	I	I	I	I	232C REWRITE TERMINAL DFW
8	TXD MO232I	-	O/L	O/L	O/L	O/L	232C REWRITE TERMINAL DFW
9	P.Down	-	I	I	I	I	P.Down DETECTION (INT)
10	EMLE	PD	I	I	I	I	EMULATOR CONNECTION TERMINAL
11	TDO	-	O	O/L	O/L	O/L	EMULATOR CONNECTION TERMINAL
12	VSS	-	-	-	-	-	GND
13	MDE	PD	I	I	I	I	SETTING OPERATION MODE
14	VCL	-	I	I	I	I	0.1 μ F Capacitor CONNECTION TERMINAL
15	MD1	PU	I	I	I	I	EMULATOR CONNECTION TERMINAL
16	MD0	PU	I	I	I	I	EMULATOR CONNECTION TERMINAL
17	OPEN		O	O/L	O/L	O/L	OPEN
18	OPEN		O	O/L	O/L	O/L	OPEN
19	RESET	-	I	I	I	I	RESET TERMINAL
20	X-OUT	-	-	-	-	-	CERALOCK12MHz OUTPUT
21	VSS	-	-	-	-	-	GND
22	X-IN	-	-	-	-	-	CERALOCK12MHz ININPUT
23	VCC	-	-	-	-	-	+3.3V_CPU
24	NMI	PU	I	I	I	I	NMI
25	EL RESET	PD	O	O/L	O/L	O/L	OLED RESET RESET in "L".
26	EL E,RD	-	O	O/L	O/L	O/L	EL READ
27	EL D/C	-	O	O/L	O/L	O/L	Data/Commando SWITCHING "H":DATA, "L":COMMAND
28	EL R/W,WR	-	O	O/L	O/L	O/L	EL WRITE
29	EL CS	-	O	O/L	O/L	O/L	EL CS "L" in THE I / F COMMUNICATE FOR OLED
30	D7	-	O	O/L	O/L	O/L	Data Bus FOR OLED
31	D6	-	O	O/L	O/L	O/L	Data Bus FOR OLED
32	D5	-	O	O/L	O/L	O/L	Data Bus FOR OLED
33	D4	-	O	O/L	O/L	O/L	Data Bus FOR OLED
34	D3	-	O	O/L	O/L	O/L	Data Bus FOR OLED
35	D2	-	O	O/L	O/L	O/L	Data Bus FOR OLED
36	D1	-	O	O/L	O/L	O/L	Data Bus FOR OLED
37	D0	-	O	O/L	O/L	O/L	Data Bus FOR OLED
38	OPEN	PU	O	O/L	O/L	O/L	I2C DATA TUNER
39	PLLVCC	-	-	-	-	-	+3.3V_CPU
40	OPEN	PD	I	I	I	I	INT. FROM TUNER
41	PLLSS	-	-	-	-	-	GND
42	OPEN	PU	O	O/L	O/L	O/L	I2C CLOCK TUNER
43	E_REQ	PD	I	I	I	I	DM870/860 INT. COMMUNICATION REQUEST
44	OPEN		O	O/L	O/L	O/L	OPEN
45	OPEN		O	O/L	O/L	O/L	OPEN
46	OPEN		O	O/L	O/L	O/L	OPEN
47	OPEN		I	I	I	I	SMPS P_Down DETECTION (INT.)
48	EEPROM SDA	PU	I/O	I	I	I	EEPROM R1EX24256A CONTROL TERMINAL
49	EEPROM SCL	PU	O	I	I	I	EEPROM R1EX24256A CONTROL TERMINAL
50	OLED_Power_ Cont	PD	O	O/L	O/L	O/L	OLED +18V Power-supply control
51	OPEN		O	O/L	O/L	O/L	OPEN
52	/E_SPICS	PU	O	O/L	O/L	O/L	DM870/860 SCI CS
53	OPEN		O	O/L	O/L	O/L	OPEN
54	OPEN		O	O/L	O/L	O/L	OPEN
55	E_RESET	PU	O	O/L	O/L	O/L	DM870/860 RESET (PU DM870/860 SIDE)
56	OPEN	PD	O	O/L	O/L	O/L	TUNER POWER CONTROL : Not used: L fixed

Pin	Port Name	PD/ PU	I/ O	STANDBY MODE			NOTE
				STBY	Network STBY	Eco STBY	
57	VSS	-	-	-	-	-	GND
58	OPEN		O	O/L	O/L	O/L	OPEN
59	VCC	-	-	-	-	-	+3.3V_CPU
60	OPEN	-	O	O/L	O/L	O/L	TUNER COMMUNICATION LINE CE
61	OPEN	PU	O	O/L	O/L	O/L	RESET FOR TUNER
62	OPEN	PD	I	I	I	I	INPUT ONLY
63	OPEN	PD	O	O/L	O/L	O/L	Ether UNITPower control (not used, reserved)
64	OPEN	-	O	O/L	O/L	O/L	OPEN
65	TEST2	PD	I	I	I	I	BOARD CHECK MODE INPUT PORT
66	OPEN		O	O/L	O/L	O/L	OPEN
67	DIR_INT	PU	I	I	I	I	DIR CONTROL
68	DIR_RST	-	O	O/L	O/L	O/L	DIR RESET
69	E_SPIMOEI	PU	O	O/L	O/L	O/L	CY920 SPI COMMUNICATION
70	E_SPIMIEO	PU	I	I	I	I	CY920 SPI COMMUNICATION
71	E_SPICLK	PU	O	O/L	O/L	O/L	CY920 SPI COMMUNICATION
72	DAC_CS		O	O/L	O/L	O/L	PCM1795 CONTROL
73	DAC_RST		O	O/L	O/L	O/L	PCM1795 CONTROL
74	VCC	-	-	-	-	-	+3.3V_CPU
75	OPEN		O	O/L	O/L	O/L	OPEN
76	VSS	-	-	-	-	-	GND
77	OPEN		O	O/L	O/L	O/L	OPEN
78	OPEN		O	O/L	O/L	O/L	OPEN
79	DAC_MOSI		O	O/L	O/L	O/L	PCM1795 CONTROL
80	OPEN		O	O/L	O/L	O/L	THE POWER STATUS ON, FOR CY920 +3.3VPOWER-SUPPLY CONTROL (exclusive work with E_POWER1)
81	DAC_CLK		O	O/L	O/L	O/L	PCM1795 CONTROL
82	REMOTE OUT		O	O/L	O/L	O/L	There remote control output carrier (DNP-730AE ONLY)
83	OPEN		O	O/L	O/L	O/L	THE POWER STATUS ON, +2.5VPOWER-SUPPLY CONTROL (exclusive work with E_POWER2)
84	OPEN		O	O/L	O/L	O/L	THE POWER STATUS ON, +1.8VPOWER-SUPPLY CONTROL (exclusive work with E_POWER3)
85	OPEN		O	O/L	O/L	O/L	THE POWER STATUS ON, +1.2VPOWER-SUPPLY CONTROL (exclusive work with E_POWER4)
86	DIR_DO	-	I	I	I	I	DIR CONTROL
87	DIR_DI	-	O	O/L	O/L	O/L	DIR CONTROL
88	DIR_CL	-	O	O/L	O/L	O/L	DIR CONTROL
89	DIR_CE	-	O	O/L	O/L	O/L	DIR CONTROL
90	DIR_RERR	PD	I	I	I	I	DIR CONTROL
91	VCC	-	-	-	-	-	+3.3V_CPU
92	TEST3	PD	I	I	I	I	BOARD CHECK MODE INPUT PORT
93	VSS	-	-	-	-	-	GND
94	CS2100 M0		O	O/L	O/L	O/L	CS2100 CONTROL
95	CS2100 M1		O	O/L	O/L	O/L	CS2100 CONTROL
96	PCM or DSD		O	O/L	O/L	O/L	PCM/DSD switching for path (output)
97	A_MUTE	PD	O	O/L	O/L	O/L	Audio MUTE OUTPUT
98	D1_Power_Cont	-	O	O/L	O/L	O/L	+3.3V_D1 / +12V_A POWER-SUPPLY CONTROL
99	VBUS_Power_Cont	PD	O	O/L	O/L	O/L	USB_VBUS POWER-SUPPLY CONTROL
100	E_FACT_RST		O	O/L	O/L	O/L	CY920 CONTROL
101	OPEN		O	O/L	O/L	O/L	OPEN
102	OPEN	PU	I	I	I	I	POWER ON key DETECTION
103	WiFi		I	I	I	I	
104	WPS		I	I	I	I	
105	OPEN		O	O/L	O/L	O/L	OPEN
106	OPEN		O	O/L	O/L	O/L	OPEN
107	OPEN		O	O/L	O/L	O/L	OPEN
108	ZEROL		O	O/L	O/L	O/L	PCM1795 ZERO FLAG

Pin	Port Name	PD/ PU	I/ O	STANDBY MODE			NOTE
				STBY	Network STBY	Eco STBY	
109	ZEROR		O	O/L	O/L	O/L	PCM1795 ZERO FLAG
110	E_POWER4		O	O/L	O/L	O/L	CY920 POWER-SUPPLY CONTROL
111	E_POWER3		O	O/L	O/L	O/L	CY921 POWER-SUPPLY CONTROL
112	E_POWER2		O	O/L	O/L	O/L	CY922 POWER-SUPPLY CONTROL
113	E_POWER1		O	O/L	O/L	O/L	CY923 POWER-SUPPLY CONTROL
114	GD25Q32_CLK	-	O	O/L	O/L	O/L	GD25Q32-6P, CLK
115	GD25Q32_HOLD	PU	I/O	I	I	I	GD25Q32-7P,HOLD# (IO3)
116	GD25Q32_WP	PU	I/O	I	I	I	GD25Q32-3P,WP# (IO2)
117	GD25Q32_SO	PU	I/O	I	I	I	GD25Q32-2P,SO (IO1)
118	GD25Q32_SI	PU	I/O	I	I	I	GD25Q32-5P,SI (IO0)
119	D3.3POWER		O	O/L	O/L	O/L	CY920 POWER-SUPPLY CONTROL Not used (RESERVED)
120	OPEN		O	O/L	O/L	O/L	STANDBY 用 DC-DC Con OUTPUT CONTROL (Substitute in SMPS_CONT、Reserved)
121	GD25Q32_CS		O	O/L	O/L	O/L	GD25Q32-1P, CS
122	OPEN		O	O/L	O/L	O/L	For the standby boot for SMPS
123	OPEN		O	O/L	O/L	O/L	Main Relay ON/OFF CONTROL
124	OPEN		O	O/L	O/L	O/L	OPEN
125	OPEN		O	O/L	O/L	O/L	DISPLAY OFF : RED LED Indicator (same as NA8005)
126	OPEN		O	O/L	O/L	O/L	Digital OUT OFF: RED LED Indicator (same as NA8005)
127	TEST4	PD	I	I	I	I	BOARD CHECK MODE INPUT PORT
128	OPEN	-	O	O/L	O/L	O/L	IR Sensor input invalid output
129	LED_RED	PD	O	O/L	O/H	O/L	RED LED Eco-STBY : Low OUTPUT
130	VSS	-	-	-	-	-	GND
131	LED_GREEN	PD	O	O/L	O/L	O/L	GREEN LED Eco-STBY : Low OUTPUT
132	VCC	-	-	-	-	-	+3.3V_CPU
133	REGION	AD	I	I	I	I	Destination discrimination
134	MODEL	AD	I	I	I	I	MODEL FLAG (FOR Mz RESEVED) DNP720AE Low
135	DC Protect 1	PU	O	O/L	O/L	O/L	DC PROTECTION DETECT 1
136	DC Protect 2	PU	O	O/L	O/L	O/L	DC PROTECTION DETECT 2
137	REMOTE	-	I	I	I	I	REMOTE IN
138	KEY3	PU	I	I	I	I	OPERATION BUTTON INPUT 3(A/D port)
139	KEY2	PU	I	I	I	I	OPERATION BUTTON INPUT 2(A/D port)
140	VREFL	-	-	-	-	-	GND
141	KEY1	PU	I	I	I	I	OPERATION BUTTON INPUT 1(A/D port)
142	VREFH	-	-	-	-	-	+3.3V_CPU
143	AVCC	-	-	-	-	-	+3.3V_CPU
144	TCK	PU	I	I	I	I	EMULATOR CONNECTION TERMINAL

CS4398 (AUDIO : IC117)



CS4398 Terminal Functions

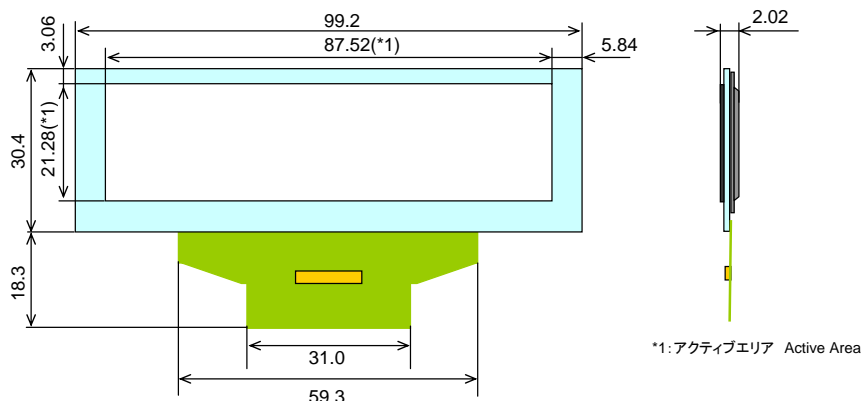
Pin Name	Pin #	Pin Description
DSD_A	28	Direct Stream Digital Input (Input) - Input for Direct Stream Digital serial audio data.
DSD_B	1	
DSD_SCLK	2	DSD Serial Clock (Input) - Serial clock for the Direct Stream Digital audio interface.
SDIN	3	Serial Audio Data Input (Input) - Input for two's complement serial audio data.
SCLK	4	Serial Clock (Input) - Serial clock for the serial audio interface.
LRCK	5	Left Right Clock (Input) - Determines which channel, Left or Right, is currently active on the serial audio data line.
MCLK	6	Master Clock (Input) - Clock source for the delta-sigma modulator and digital filters.
VD	7	Digital Power (Input) - Positive power for the digital section.
DGND	8	Digital Ground (Input) - Ground reference for the digital section.
RST	13	Reset (Input) - The device enters system reset when enabled.
VLC	14	Control Port Power (Input) - Positive power for Control Port I/O.
FILT+	15	Positive Voltage Reference (Output) - Positive reference voltage for the internal sampling circuits.
REF_GND	16	Reference Ground (Input) - Ground reference for the internal sampling circuits.
VREF	17	Voltage Reference (Input) - Positive voltage reference for the internal sampling circuits.
BMUTEC	18	Mute Control (Output) - The Mute Control pin is active during power-up initialization, muting, power-down or if the master clock to left/right clock frequency ratio is incorrect. During reset, these outputs are set to a high impedance.
AMUTEC	25	
AOUTB+	20	Differential Right Channel Analog Output (Output) - The full-scale differential analog output level is specified in the Analog Characteristics specification table.
AOUTB-	19	
AGND	21	Analog Ground (Input) - Ground reference for the analog section.
VA	22	Analog Power (Input) - Positive power for the analog section.
AOUTA+	23	Differential Left Channel Analog Output (Output) - The full-scale differential analog output level is specified in the Analog Characteristics specification table.
AOUTA-	24	
VQ	26	Quiescent Voltage (Output) - Filter connection for internal quiescent voltage.
VLS	27	Serial Audio Interface Power (Input) - Positive power for serial audio interface I/O.
Stand-Alone Mode Definitions		
M3	9	Mode Selection (Input) - Determines the operational mode of the device.
M2	10	
M1	11	
M0	12	
Control Port Mode Definitions		
AD1/CDIN	9	Address Bit 1 (I²C) / Control Data Input (SPI) (Input) - AD1 is a chip address pin in I ² C mode; CDIN is the input data line for the Control Port interface in SPI mode.
SCL/CCLK	10	Serial Control Port Clock (Input) - Serial clock for the serial Control Port.
SDA/CDOUT	11	Serial Control Data (I²C) / Control Data Output (SPI) (Input/Output) - SDA is a data I/O line in I ² C mode. CDOUT is the output data line for the Control Port interface in SPI mode.
AD0/ $\overline{\text{CS}}$	12	Address Bit 0 (I²C) / Control Port Chip Select (SPI) (Input) - AD0 is a chip address pin in I ² C mode; CS is the chip select signal for SPI format.

2. DISPLAY

OLED (Ref.No.15)

S020-MXS4035A-3

端子番号 Pin No.	端子名 Pin Name	入出力 /O	機能 Function
1	VSS	P	グラウンド GND
2	VCC	P	ドライブ系電源電圧 Drive System Power Voltage
3	VCOMH	P	陰極電源 Power Supply for Cathode Driver
4	VLSS	P	アナロググラウンド Analog System Ground
5	CLS	I	VDDIO接続 Connect to VDDIO
6	D7	I	データバス Data Bus
7	D6	I	データバス Data Bus
8	D5	I	データバス Data Bus
9	D4	I	データバス Data Bus
10	D3	I	データバス Data Bus
11	D2	I	データバス Data Bus
12	D1(SD N)	I	データバス(シリアルデータ) Data Bus(Serial Data)
13	DO(SCLK)	I	データバス(シリアルクロック) Data Bus(Serial Clock)
14	RD#	I	読み出し Read
15	WR#	I	書き込み Write
16	BS0	I	インターフェース選択端子
17	BSI	I	Select MCU Bus Interface Setting
18	D/C#	I	データ/コマンド選択 Select Data/Command
19	CS#	I	チップセレクト Chip Select
20	RES#	I	リセット Reset
21	VSS	P	グラウンド GND
22	CL	I	VSS接続 Connect to VSS
23	IREF	O	基準電流 Reference Current Setting
24	NC	-	
25	VDDIO	P	インターフェイス系電源電圧 Interface System Power Voltage
26	VDD	O	内部ロジック電源 Internal Logic Power
27	VCI	P	ロジック系電源 Logic System Power Voltage
28	VSL	P	陽極基準電位 Anode Reference Voltage
29	VLSS	P	アナロググラウンド Analog System Ground
30	VCC	P	ドライブ系電源電圧 Drive System Power Voltage



MAIN PCB ASS'Y

※Parts indicated by "nsp" on this table cannot be supplied.

※The parts listed below are only for maintenance. Therefore they might differ from the parts used in the unit in appearances or dimensions.

NOTE:The symbols in the column Remarks indicate the following destinations.

U : North America model N : Europe model K : China model F : Japan model

B : Black model SG : Silver Gold model

REF No.	Part No.	Part Name	Remarks	Q'ty	New	Ver
SEMICONDUCTORS GROUP						
D100-108	00D9600197000	D,SWITCHING CHIP KDS160(UF) /USC		K005016000010S	9	
IC100	963248103120S	IC,MEMORY FLASH GD25Q32B 32Mbit SOP8 SERIAL FLASH See PROCEDURE AFTER REPLACING THE MICROPROCESSOR, ETC..	E1C	8952600500100	1	*
IC101	963243102990S	IC,CPU MICRO PROCESS R5F56108VNF 32BIT MICROCOMPUTER P-LQFP144 RENESAS		8952600500110	1	4
IC102	00D2623082924	IC,LINEAR-RESET BD4730G-TR RESET IC SSOP5		J125473005510S	1	
IC103	963239101320S	IC,MEMORY-EEPROM R1EX24128BSA0I 128Kbit SERIAL SOP8 RENESAS		J000241282010S	1	
IC104	963224501020S	SEMI,FET CHIP RAQ045P01-TLB TSMT6 P-CH MOSFET	U, F	J543045010060S	1	
IC105,106	963239101370S	IC,LOGIC-D/D CONVER EN5339QI 3A BUCK PWM DC-DC QFN24P		J048533900010S	2	
IC107	963239101360S	IC,LOGIC-INTERFACE BD82065FVJ CURRENT LIMIT 2.4A TSSOP-B8J		J046820650010S	1	
IC108	23671011050AS	IC,LOGIC-DECODER MFI337S3959 COPROCESSOR(IPOD) DENON SAGUB		J044337395910S	1	
IC109	24681009260AS	IC,MEMORY FLASH MX25L25635FMI-10G 256M SERIAL FLASH SOP16 See PROCEDURE AFTER REPLACING THE MICROPROCESSOR, ETC..		J005252561010S	1	4
IC110,111	963239101370S	IC,LOGIC-D/D CONVER EN5339QI 3A BUCK PWM DC-DC QFN24P		J048533900010S	2	
IC113	23681014050AS	IC,LOGIC-INTERFACE PCM9211 TRANSCEIVER LQFP48		J046921100010S	1	
IC114	963248103130S	IC,LOGIC TC7WHU04FU-TRB SSOP8-P-0.65 TRIPLE INVERTER		J040740400370S	1	*
IC115	963233102050D	IC,LOGIC SN74LV157APW TSSOP16 QUAD 2TO1 DATA SELECTOR/MUX		J040741570150S	1	
IC116	963239101650S	IC,LINEAR CS2000CP-CZZR FRACTIONAL-N CLOCK SYNTHESIZER MSOP		J120200005510S	1	*
IC117	963239101660S	IC,LOGIC-D/A CONVER CS4398-CZZR TSSOP28 DAC WITH VOLUME CTRL		J042439800010S	1	*
Q100	00D2690192902	SEMI,CHIP TR/NPN 2SC KRC102S (NB) 0.2W/SOT-23 REEL		J522010200210S	1	
Q101	00D2690184907	SEMI,CHIP TR/PNP 2SA KRA102S(PB) 0.2W/SOT-23 REEL		J520010200210S	1	
Q102,103	00D2690192902	SEMI,CHIP TR/NPN 2SC KRC102S (NB) 0.2W/SOT-23 REEL		J522010200210S	2	
Q104	00D2690184907	SEMI,CHIP TR/PNP 2SA KRA102S(PB) 0.2W/SOT-23 REEL		J520010200210S	1	
Q105	00D2690192902	SEMI,CHIP TR/NPN 2SC KRC102S (NB) 0.2W/SOT-23 REEL	U, F	J522010200210S	1	
Q106	00D2690184907	SEMI,CHIP TR/PNP 2SA KRA102S(PB) 0.2W/SOT-23 REEL		J520010200210S	1	
Q107	00D2690192902	SEMI,CHIP TR/NPN 2SC KRC102S (NB) 0.2W/SOT-23 REEL		J522010200210S	1	
Q108	00D2690184907	SEMI,CHIP TR/PNP 2SA KRA102S(PB) 0.2W/SOT-23 REEL		J520010200210S	1	
RESISTOR GROUP						
R100,101	nsp	R,CHIP THICK 10K-J,1/16W-1608REEL		C20001036M160S	2	
R102	nsp	R,CHIP THICK 47K-J,1/16W-1608REEL		C20004736M160S	1	
R103-105	nsp	R,CHIP THICK 10K-J,1/16W-1608REEL		C20001036M160S	3	
R106	nsp	R,CHIP THICK 4.7K-J,1/16W-1608REEL		C20004726M160S	1	
R107,108	nsp	R,CHIP THICK 33-J,1/16W-1608REEL		C20003306M160S	2	
R113	nsp	R,CHIP THICK 1K-J,1/16W-1608REEL		C20001026M160S	1	
R115	nsp	R,CHIP THICK 4.7K-J,1/16W-1608REEL	U	C20004726M160S	1	
R115	nsp	R,CHIP THICK 270-J,1/16W-1608REEL	F	C20002716M160S	1	
R115	nsp	R,CHIP THICK 820-J,1/16W-1608REEL	K	C20008216M160S	1	
R117	nsp	R,CHIP THICK 1K-J,1/16W-1608REEL		C20001026M160S	1	
R118	nsp	R,CHIP THICK 2.2K-J,1/16W-1608REEL	U	C20002226M160S	1	
R118	nsp	R,CHIP THICK 330-J,1/16W-1608REEL	F	C20003316M160S	1	
R118	nsp	R,CHIP THICK 820-J,1/16W-1608REEL	K	C20008216M160S	1	
R120	nsp	R,CHIP THICK 1K-J,1/16W-1608REEL		C20001026M160S	1	
R124	nsp	R,CHIP THICK 0-J,1/16W-1608REEL		C20000006M160S	1	
R125	nsp	R,CHIP THICK 1K-J,1/16W-1608REEL	N	C20001026M160S	1	
R126	nsp	R,CHIP THICK 10K-J,1/16W-1608REEL		C20001036M160S	1	
R127	nsp	R,CHIP THICK 4.7K-J,1/16W-1608REEL		C20004726M160S	1	
R131	nsp	R,CHIP THICK 47K-J,1/16W-1608REEL		C20004736M160S	1	
R133	nsp	R,CHIP THICK 4.7K-J,1/16W-1608REEL		C20004726M160S	1	
R134,135	nsp	R,CHIP THICK 10K-J,1/16W-1608REEL		C20001036M160S	2	
R136,137	nsp	R,CHIP THICK 4.7K-J,1/16W-1608REEL		C20004726M160S	2	
R139	nsp	R,CHIP THICK 4.7K-J,1/16W-1608REEL		C20004726M160S	1	
R140	nsp	R,CHIP THICK 1K-J,1/16W-1608REEL	U, F, K	C20001026M160S	1	
R141	nsp	R,CHIP THICK 4.7K-J,1/16W-1608REEL		C20004726M160S	1	
R143	nsp	R,CHIP THICK 10K-J,1/16W-1608REEL		C20001036M160S	1	
R144	nsp	R,CHIP THICK 0-J,1/16W-1608REEL		C20000006M160S	1	
R145	nsp	R,CHIP THICK 10K-J,1/16W-1608REEL		C20001036M160S	1	
R146,147	nsp	R,CHIP THICK 0-J,1/16W-1608REEL		C20000006M160S	2	
R148	nsp	R,CHIP THICK 33-J,1/16W-1608REEL		C20003306M160S	1	
R151,152	nsp	R,CHIP THICK 10K-J,1/16W-1608REEL		C20001036M160S	2	
R153	nsp	R,CHIP THICK 4.7K-J,1/16W-1608REEL		C20004726M160S	1	
R154	nsp	R,CHIP THICK 220-J,1/10W-1608REEL		C200022160161S	1	
R155	nsp	R,CHIP THICK 10K-J,1/16W-1608REEL		C20001036M160S	1	
R156	nsp	R,CHIP THICK 100K-J,1/16W-1608REEL		C20001046M160S	1	
R157	nsp	R,CHIP THICK 1K-J,1/16W-1608REEL		C20001026M160S	1	
R158-160	nsp	R,CHIP THICK 22-J,1/16W-1608REEL		C20002206M160S	3	
R162	nsp	R,CHIP THICK 22-J,1/16W-1608REEL		C20002206M160S	1	
R163	nsp	R,CHIP THICK 10K-J,1/16W-1608REEL		C20001036M160S	1	
R165	nsp	R,CHIP THICK 10K-J,1/16W-1608REEL		C20001036M160S	1	
R166	nsp	R,CHIP THICK 33-J,1/16W-1608REEL		C20003306M160S	1	
R167	nsp	R,CHIP THICK 22-J,1/16W-1608REEL		C20002206M160S	1	
R168	nsp	R,CHIP THICK 0-J,1/16W-1608REEL		C20000006M160S	1	
R169	nsp	R,CHIP THICK 220-J,1/10W-1608REEL		C200022160161S	1	
R170-179	nsp	R,CHIP THICK 22-J,1/16W-1608REEL		C20002206M160S	10	
R180	nsp	R,CHIP THICK 10K-J,1/16W-1608REEL		C20001036M160S	1	
R181-184	nsp	R,CHIP THICK 33-J,1/16W-1608REEL		C20003306M160S	4	
R187-189	nsp	R,CHIP THICK 33-J,1/16W-1608REEL		C20003306M160S	3	
R190,191	nsp	R,CHIP THICK 22-J,1/16W-1608REEL		C20002206M160S	2	
R192	nsp	R,CHIP THICK 10K-J,1/16W-1608REEL		C20001036M160S	1	
R193,194	nsp	R,CHIP THICK 0-J,1/16W-1608REEL		C20000006M160S	2	
R195	nsp	R,CHIP THICK 10K-J,1/16W-1608REEL		C20001036M160S	1	
R196-198	nsp	R,CHIP THICK 4.7K-J,1/16W-1608REEL		C20004726M160S	3	
R199	nsp	R,CHIP THICK 0-J,1/16W-1608REEL		C20000006M160S	1	
R200	nsp	R,CHIP THICK 100-J,1/16W-1608REEL		C20001016M161S	1	
R201	nsp	R,CHIP THICK 10K-J,1/16W-1608REEL		C20001036M160S	1	
R202	nsp	R,CHIP THICK 100-J,1/16W-1608REEL		C20001016M161S	1	
R203	nsp	R,CHIP THICK 10K-J,1/16W-1608REEL		C20001036M160S	1	
R206-210	nsp	R,CHIP THICK 33-J,1/16W-1608REEL	U, F	C20003306M160S	5	
R211	nsp	R,CHIP THICK 47-J,1/16W-1608REEL		C20004706M160S	1	
R212-214	nsp	R,CHIP THICK 0-J,1/16W-1608REEL		C20000006M160S	3	
R216	nsp	R,CHIP THICK 0-J,1/16W-1608REEL		C20000006M160S	1	
R217	nsp	R,CHIP THICK 10-J,1/16W-1608REEL		C20001006M160S	1	
R220,221	nsp	R,CHIP THICK 10-J,1/16W-1608REEL		C20001006M160S	2	
R226,227	nsp	R,CHIP THICK 4.7K-J,1/16W-1608REEL		C20004726M160S	2	
R229,230	nsp	R,CHIP THICK 100K-J,1/16W-1608REEL		C20001046M160S	2	
R231	nsp	R,CHIP THICK 10K-J,1/16W-1608REEL		C20001036M160S	1	
R232	nsp	R,CHIP THICK 0-J,1/16W-1608REEL		C20000006M160S	1	
R233,234	nsp	R,CHIP THICK 348K-F,1/16W-1608REEL		C20034834M161S	2	
R235	nsp	R,CHIP THICK 9.1K-F,1/10W-1608REEL		C200091240161S	1	
R236	nsp	R,CHIP THICK 62K-F,1/16W-1608REEL		C20006234M160S	1	*
R237	nsp	R,CHIP THICK 9.1K-F,1/10W-1608REEL		C200091240161S	1	

REF No.	Part No.	Part Name	Remarks	Q'ty	New	Ver
R238	nsp	R,CHIP THICK 180K-F,1/10W-1608REEL		C200018440161S	1	*
R245	nsp	R,NETWORK A-TYPE 33-J 1/16W SMD(1005)*4 WA04X		C180330042100S	1	
R248	nsp	R,CHIP THICK 0-J,1/16W-1608REEL		C20000006M160S	1	
R251	nsp	R,CHIP THICK 10K-J,1/16W-1608REEL		C20001036M160S	1	
R254	nsp	R,CHIP THICK 0-J,1/16W-1608REEL		C20000006M160S	1	
R255,256	nsp	R,CHIP THICK 10-J,1/16W-1608REEL		C20001006M160S	2	
R257,258	nsp	R,CHIP THICK 4.7K-J,1/16W-1608REEL		C20004726M160S	2	
R259,260	nsp	R,CHIP THICK 100K-J,1/16W-1608REEL		C20001046M160S	2	
R261	nsp	R,CHIP THICK 0-J,1/16W-1608REEL		C20000006M160S	1	
R262	nsp	R,NETWORK A-TYPE 0J*4 1/16W SMD(1005)		C180000040500S	1	
R263	nsp	R,CHIP THICK 10K-J,1/16W-1608REEL		C20001036M160S	1	
R265	nsp	R,CHIP THICK 10K-J,1/16W-1608REEL		C20001036M160S	1	
R266,267	nsp	R,CHIP THICK 0-J,1/16W-1608REEL		C20000006M160S	2	
R268,269	nsp	R,CHIP THICK 348K-F,1/16W-1608REEL		C20034834M161S	2	
R270	nsp	R,CHIP THICK 0-F,1/16W-1608REEL		C20000004M160S	1	*
R271	nsp	R,CHIP THICK 130K-F,1/10W-1608REEL		C200013440160S	1	*
R272	nsp	R,CHIP THICK 91K-F,1/16W-1608REEL		C20009134M161S	1	*
R273	nsp	R,CHIP THICK 6.2K-F,1/16W-1608REEL		C20006226M160S	1	
R276-279	nsp	R,CHIP THICK 0-J,1/16W-1608REEL		C20000006M160S	4	
R281	nsp	R,CHIP THICK 0-J,1/16W-1608REEL		C20000006M160S	1	
R283-285	nsp	R,CHIP THICK 10K-J,1/16W-1608REEL		C20001036M160S	3	
R286-288	nsp	R,CHIP THICK 0-J,1/16W-1608REEL		C20000006M160S	3	
R289	nsp	R,CHIP THICK 560-J,1/16W-1608REEL	U, F	C20005616M160S	1	
R291	nsp	R,CHIP THICK 560-J,1/16W-1608REEL	U, F	C20005616M160S	1	
R448,449	nsp	R,CHIP THICK 0-J,1/16W-1608REEL		C20000006M160S	2	
R450,451	nsp	R,CHIP THICK 33-J,1/16W-1608REEL	U, F	C20003306M160S	2	
R454	nsp	R,CHIP THICK 47-J,1/16W-1608REEL		C20004706M160S	1	
R455	nsp	R,CHIP THICK 680-J,1/16W-1608REEL		C20006816M160S	1	
R456-458	nsp	R,CHIP THICK 47-J,1/16W-1608REEL		C20004706M160S	3	
R459	nsp	R,CHIP THICK 33-J,1/16W-1608REEL		C20003306M160S	1	
R460	nsp	R,CHIP THICK 150-J,1/16W-1608REEL		C20001516M160S	1	
R461	nsp	R,CHIP THICK 1M-J,1/16W-1608REEL		C20001056M160S	1	
R462	nsp	R,CHIP THICK 10K-J,1/16W-1608REEL		C20001036M160S	1	
R463	nsp	R,CHIP THICK 0-J,1/16W-1608REEL		C20000006M160S	1	
R464-466	nsp	R,CHIP THICK 33-J,1/16W-1608REEL		C20003306M160S	3	
R467	nsp	R,CHIP THICK 1K-J,1/16W-1608REEL		C20001026M160S	1	
R468-471	nsp	R,CHIP THICK 100-J,1/16W-1608REEL		C20001016M161S	4	
R472	nsp	R,CHIP THICK 0-J,1/16W-1608REEL		C20000006M160S	1	
R476	nsp	R,CHIP THICK 0-J,1/16W-1608REEL		C20000006M160S	1	
R478	nsp	R,CHIP THICK 0-J,1/16W-1608REEL		C20000006M160S	1	
R479	nsp	R,CHIP THICK 47K-J,1/16W-1608REEL		C20004736M160S	1	
R481,482	nsp	R,CHIP THICK 0-J,1/16W-1608REEL		C20000006M160S	2	
R483	nsp	R,CHIP THICK 33-J,1/16W-1608REEL		C20003306M160S	1	
R484,485	nsp	R,CHIP THICK 0-J,1/16W-1608REEL		C20000006M160S	2	
R486,487	nsp	R,CHIP THICK 33-J,1/16W-1608REEL		C20003306M160S	2	
R488-490	nsp	R,CHIP THICK 0-J,1/16W-1608REEL		C20000006M160S	3	
R491	nsp	R,CHIP THICK 33-J,1/16W-1608REEL		C20003306M160S	1	
R492,493	nsp	R,CHIP THICK 0-J,1/16W-1608REEL		C20000006M160S	2	
R494-497	nsp	R,CHIP THICK 33-J,1/16W-1608REEL		C20003306M160S	4	
R498	nsp	R,CHIP THICK 4.7K-J,1/16W-1608REEL		C20004726M160S	1	
R499	nsp	R,CHIP THICK 10K-J,1/16W-1608REEL		C20001036M160S	1	
R501	nsp	R,CHIP THICK 4.7K-J,1/16W-1608REEL		C20004726M160S	1	
R502	nsp	R,CHIP THICK 10K-J,1/16W-1608REEL		C20001036M160S	1	
R503	nsp	R,CHIP THICK 56-J,1/16W-1608REEL		C20005606M160S	1	
R504-511	nsp	R,CHIP THICK 0-J,1/16W-1608REEL		C20000006M160S	8	
R543-545	nsp	R,CHIP THICK 0-J,1/16W-1608REEL		C20000006M160S	3	
R546,547	nsp	R,CHIP THICK 220K-J,1/16W-1608REEL	U, F	C20002246M160S	2	
R550	nsp	R,CHIP THICK 0-J,1/16W-1608REEL		C20000006M160S	1	
CAPACITORS GROUP						
C100	nsp	C,CERAMIC CHIP T.C COG 0.001UF-J/50V-1608REEL		D010102167160S	1	
C101	nsp	C,CERAMIC CHIP HIK X7R0.01UF-K/50V-1608REEL		D011103777160S	1	
C102	nsp	C,CERAMIC CHIP T.C COG 0.001UF-J/50V-1608REEL		D010102167160S	1	
C103	nsp	C,CERAMIC CHIP HIK X7R0.01UF-K/50V-1608REEL		D011103777160S	1	
C104	nsp	C,CERAMIC CHIP HIK X7R)0.1UF-K/25V-1608REEL		D011104774161S	1	
C105	nsp	C,CERAMIC CHIP T.C COG 0.001UF-J/50V-1608REEL		D010102167160S	1	
C106	nsp	C,CERAMIC CHIP HIK X7R)0.1UF-K/25V-1608REEL		D011104774161S	1	
C107	nsp	C,CERAMIC CHIP HIK X7R0.01UF-K/50V-1608REEL		D011103777160S	1	
C108	nsp	C,CERAMIC CHIP T.C COG 0.001UF-J/50V-1608REEL		D010102167160S	1	
C109	963134002740S	C,ELECT GE 85C 10UF-M/16V,5*11-5RE.SHL SY		D040100083100S	1	
C110	nsp	C,CERAMIC CHIP T.C COG 0.001UF-J/50V-1608REEL		D010102167160S	1	
C112	nsp	C,CERAMIC CHIP HIK X7R)0.1UF-K/25V-1608REEL		D011104774161S	1	
C113	nsp	C,CERAMIC CHIP HIK X7R0.01UF-K/50V-1608REEL		D011103777160S	1	
C114,115	nsp	C,CERAMIC CHIP T.C COG 0.001UF-J/50V-1608REEL		D010102167160S	2	
C116	nsp	C,CERAMIC CHIP HIK X7R0.01UF-K/50V-1608REEL		D011103777160S	1	
C117	nsp	C,CERAMIC CHIP T.C COG 0.001UF-J/50V-1608REEL		D010102167160S	1	
C118	nsp	C,CERAMIC CHIP HIK X7R)0.1UF-K/25V-1608REEL		D011104774161S	1	
C119	nsp	C,CERAMIC CHIP HIK X7R0.01UF-K/50V-1608REEL		D011103777160S	1	
C120	nsp	C,CERAMIC CHIP T.C COG 0.001UF-J/50V-1608REEL		D010102167160S	1	
C121	963134002740S	C,ELECT GE 85C 10UF-M/16V,5*11-5RE.SHL SY		D040100083100S	1	
C122-124	nsp	C,CERAMIC CHIP T.C COG 0.001UF-J/50V-1608REEL		D010102167160S	3	
C125	nsp	C,CERAMIC CHIP HIK X7R)0.1UF-K/25V-1608REEL		D011104774161S	1	
C126	963134002740S	C,ELECT GE 85C 10UF-M/16V,5*11-5RE.SHL SY		D040100083100S	1	
C127	nsp	C,CERAMIC CHIP HIK X7R)0.1UF-K/25V-1608REEL		D011104774161S	1	
C128-131	nsp	C,CERAMIC CHIP T.C COG 0.001UF-J/50V-1608REEL		D010102167160S	4	
C132	nsp	C,CERAMIC CHIP HIK X7R0.01UF-K/50V-1608REEL		D011103777160S	1	
C134	nsp	C,CERAMIC CHIP T.C COG 0.001UF-J/50V-1608REEL		D010102167160S	1	
C135	nsp	C,CERAMIC CHIP T.C COG12PF-J/50V-1608REEL		D010120167160S	1	
C136	nsp	C,CERAMIC CHIP T.C COG 0.001UF-J/50V-1608REEL		D010102167160S	1	
C137	nsp	C,CERAMIC CHIP HIK X7R0.01UF-K/50V-1608REEL		D011103777160S	1	
C138	nsp	C,CERAMIC CHIP T.C COG 0.001UF-J/50V-1608REEL		D010102167160S	1	
C139	nsp	C,CERAMIC CHIP T.C COG12PF-J/50V-1608REEL		D010120167160S	1	
C140	nsp	C,CERAMIC CHIP HIK X7R0.01UF-K/50V-1608REEL		D011103777160S	1	
C141	nsp	C,CERAMIC CHIP T.C COG 0.001UF-J/50V-1608REEL		D010102167160S	1	
C142,143	nsp	C,CERAMIC CHIP HIK X7R0.01UF-K/50V-1608REEL		D011103777160S	2	
C144-146	nsp	C,CERAMIC CHIP T.C COG 0.001UF-J/50V-1608REEL		D010102167160S	3	
C147	nsp	C,CERAMIC CHIP HIK X7R)0.1UF-K/25V-1608REEL		D011104774161S	1	
C148	00D2570508917	C,CERAMIC CHIP HIK X7R470PF-K/50V-1608REEL		D011471767160S	1	
C149	nsp	C,CERAMIC CHIP HIK X7R)0.1UF-K/25V-1608REEL	U, F	D011104774161S	1	
C150	00D9639005901	C,ELECT GE 85C 470UF-M/10V,6.3*11-5RE.SHL SY	U, F	D040471082060S	1	
C151-154	nsp	C,CERAMIC CHIP HIK X7R)0.1UF-K/25V-1608REEL		D011104774161S	4	
C165	nsp	C,CERAMIC CHIP T.C COG 0.001UF-J/50V-1608REEL		D010102167160S	1	
C167	nsp	C,CERAMIC CHIP HIK X7R0.022UF-K/25V-1608REEL		D011223777160S	1	
C168	nsp	C,CERAMIC CHIP T.C COG 0.001UF-J/50V-1608REEL		D010102167160S	1	
C170	nsp	C,CERAMIC CHIP HIK X7R)0.1UF-K/25V-1608REEL		D011104774161S	1	
C171	nsp	C,CERAMIC CHIP T.C COG 0.001UF-J/50V-1608REEL		D010102167160S	1	
C173	nsp	C,CERAMIC CHIP T.C COG100PF-J/50V-1608REEL		D01010116716CS	1	*
C174	nsp	C,CERAMIC CHIP HIK X7R)0.1UF-K/25V-1608REEL		D011104774161S	1	
C175-178	nsp	C,CERAMIC CHIP T.C COG 0.001UF-J/50V-1608REEL		D010102167160S	4	

REF No.	Part No.	Part Name	Remarks	Q'ty	New	Ver
C181	nsp	C,CERAMIC CHIP HIK X7R)0.1UF-K/25V-1608REEL		D011104774161S	1	
C182,183	nsp	C,CERAMIC CHIP T.C COG 0.001UF-J/50V-1608REEL		D010102167160S	2	
C184-186	nsp	C,CERAMIC CHIP HIK X7R)0.1UF-K/25V-1608REEL		D011104774161S	3	
C187,188	nsp	C,CERAMIC CHIP T.C X5R)22UF-K/16V 3216REEL SAMSUNG		D010226173340S	2	
C191	nsp	C,CERAMIC CHIP T.C COG 0.001UF-J/50V-1608REEL		D010102167160S	1	
C192,193	nsp	C,CERAMIC CHIP HIK X7R)1UF-K/16V-1608REEL		D011105173161S	2	
C194	nsp	C,CERAMIC CHIP T.C COG 0.001UF-J/50V-1608REEL		D010102167160S	1	
C195,196	nsp	C,CERAMIC CHIP T.C COG5PF-C/50V-1608REEL		D010050107160S	2	
C198,199	nsp	C,CERAMIC CHIP HIK X5R)22UF-M/6.3V-2012REEL JMK212BJ226MG-T		D011226581203S	2	
C200,201	nsp	C,CERAMIC CHIP HIK X7R)10UF-K/6.3V-2012REEL		D011106771201S	2	
C211	nsp	C,CERAMIC CHIP HIK X7R)0.1UF-K/25V-1608REEL		D011104774161S	1	
C212	nsp	C,CERAMIC CHIP T.C COG 0.001UF-J/50V-1608REEL		D010102167160S	1	
C213	nsp	C,CERAMIC CHIP HIK X7R)0.1UF-K/25V-1608REEL		D011104774161S	1	
C214	nsp	C,CERAMIC CHIP T.C COG 0.001UF-J/50V-1608REEL		D010102167160S	1	
C215,216	nsp	C,CERAMIC CHIP HIK X7R)0.1UF-K/25V-1608REEL		D011104774161S	2	
C217,218	nsp	C,CERAMIC CHIP T.C X5R)22UF-K/16V 3216REEL SAMSUNG		D010226173340S	2	
C219,220	nsp	C,CERAMIC CHIP HIK X7R)1UF-K/16V-1608REEL		D011105173161S	2	
C221,222	nsp	C,CERAMIC CHIP HIK X7R)0.1UF-K/25V-1608REEL		D011104774161S	2	
C223,224	nsp	C,CERAMIC CHIP T.C COG5PF-C/50V-1608REEL		D010050107160S	2	
C225,226	nsp	C,CERAMIC CHIP HIK X5R)22UF-M/6.3V-2012REEL JMK212BJ226MG-T		D011226581203S	2	
C227	nsp	C,CERAMIC CHIP HIK X7R)0.1UF-K/25V-1608REEL		D011104774161S	1	
C228,229	nsp	C,CERAMIC CHIP HIK X7R)10UF-K/6.3V-2012REEL		D011106771201S	2	
C232	nsp	C,CERAMIC CHIP HIK X7R)0.1UF-K/25V-1608REEL		D011104774161S	1	
C284	963133502240S	C,FILM P.PROPYLENE 0.01UF-J/100V FNS(135)100VDC103JTP SHINYEI		D02110306C030S	1	*
C285	963133502210D	C,FILM P.PROPYLENE ST-0.01UF-J/100V-5RE MANUAL		D02110306C050S	1	
C293-295	nsp	R,CHIP THICK 10K-J,1/16W-1608REEL		C20001036M160S	3	
C312,313	nsp	C,CERAMIC CHIP T.C COG)47PF-J/50V-1608REEL	U, F	D010470167160S	2	
C332	nsp	R,CHIP THICK 10K-J,1/16W-1608REEL		C20001036M160S	1	
C348,349	00D9630293602	C,ELECT GE 85C 1UF-M/50V,5*11-5RE.SMS SY (Pb Free)	U, F	D040010087150S	2	
C350	00D2544577945	C,ELECT GE 85C 100UF-M/16V,5*11 RA3-16V101ME3#8P ELNA		D040101083220S	1	
C351	nsp	C,CERAMIC CHIP HIK X7R)0.1UF-K/25V-1608REEL		D011104774161S	1	
C352	963134502370S	C,ELECT GE 85C 47UF-M/16V,5*11-5RE.SMS SY		D040470083080S	1	
C353	nsp	C,CERAMIC CHIP HIK X7R)0.1UF-K/25V-1608REEL		D011104774161S	1	
C354	nsp	C,CERAMIC CHIP T.C X7R 0.068UF-K/50V-1608REEL		D010683777160S	1	
C355	nsp	C,CERAMIC CHIP HIK X7R)4700PF-K/100V-1608REEL		D01147277C161S	1	
C357,358	nsp	C,CERAMIC CHIP HIK X7R)0.1UF-K/25V-1608REEL		D011104774161S	2	
C359	nsp	C,CERAMIC CHIP T.C COG15PF-J/50V-1608REEL		D010150167160S	1	
C360	963134503530S	C,ELECT GE 85C 220UF-M/16V,10*20 ROS-16V221MH5 ELNA		D040221083660S	1	*
C363	nsp	C,CERAMIC CHIP HIK X7R)0.1UF-K/25V-1608REEL		D011104774161S	1	
C364	nsp	C,CERAMIC CHIP T.C COG15PF-J/50V-1608REEL		D010150167160S	1	
C365	nsp	C,CERAMIC CHIP HIK X7R)0.1UF-K/25V-1608REEL		D011104774161S	1	
C370	nsp	C,CERAMIC CHIP HIK X7R)0.1UF-K/25V-1608REEL		D011104774161S	1	
C371	nsp	C,CERAMIC CHIP T.C COG 0.001UF-J/50V-1608REEL		D010102167160S	1	
C372	963134502370S	C,ELECT GE 85C 47UF-M/16V,5*11-5RE.SMS SY		D040470083080S	1	
C373,374	nsp	C,CERAMIC CHIP HIK X7R)0.1UF-K/25V-1608REEL		D011104774161S	2	
C375	963134502370S	C,ELECT GE 85C 47UF-M/16V,5*11-5RE.SMS SY		D040470083080S	1	
C376	nsp	C,CERAMIC CHIP HIK X7R)0.01UF-K/50V-1608REEL		D011103777160S	1	
C377	nsp	C,CERAMIC CHIP HIK X7R)0.1UF-K/25V-1608REEL		D011104774161S	1	
C378	nsp	C,CERAMIC CHIP T.C COG 0.001UF-J/50V-1608REEL		D010102167160S	1	
C379	nsp	C,CERAMIC CHIP HIK X7R)0.1UF-K/25V-1608REEL		D011104774161S	1	
C380	nsp	C,CERAMIC CHIP HIK X7R)0.01UF-K/50V-1608REEL		D011103777160S	1	
C381	nsp	C,CERAMIC CHIP T.C COG 0.001UF-J/50V-1608REEL		D010102167160S	1	
C382	963134503540S	C,ELECT GE 85C 100UF-M/25V,10*16 ROA-25V101MH4#PE ELNA		D040101084220S	1	*
C383,384	nsp	C,CERAMIC CHIP T.C COG100PF-J/50V-1608REEL		D010101167160S	2	*
C385	963134503550S	C,ELECT GE 85C 100UF-M/25V,10*16 ROS-25V101MH4 ELNA		D040101084660S	1	*
C386	nsp	C,CERAMIC CHIP T.C COG100PF-J/50V-1608REEL		D010101167160S	1	*
C387	nsp	C,CERAMIC CHIP HIK X7R)0.1UF-K/25V-1608REEL		D011104774161S	1	
C388	nsp	C,CERAMIC CHIP T.C COG100PF-J/50V-1608REEL		D010101167160S	1	*
C389	nsp	C,CERAMIC CHIP HIK X7R)0.1UF-K/25V-1608REEL		D011104774161S	1	
C390	963134503560S	C,ELECT GE 85C 10UF-M/25V,5*11 ROA-25V100ME3 ELNA		D040100084220S	1	*
C391-394	nsp	C,CERAMIC CHIP HIK X7R)0.1UF-K/25V-1608REEL		D011104774161S	4	
C395	963134503540S	C,ELECT GE 85C 100UF-M/25V,10*16 ROA-25V101MH4#PE ELNA		D040101084220S	1	*
C396	963134503550S	C,ELECT GE 85C 100UF-M/25V,10*16 ROS-25V101MH4 ELNA		D040101084660S	1	*
C397	nsp	C,CERAMIC CHIP T.C COG 0.001UF-J/50V-1608REEL		D010102167160S	1	
C398	nsp	C,CERAMIC CHIP HIK X7R)0.01UF-K/50V-1608REEL		D011103777160S	1	
C399	nsp	C,CERAMIC CHIP HIK X7R)0.1UF-K/25V-1608REEL		D011104774161S	1	
C443	nsp	C,CERAMIC CHIP T.C COG100PF-J/50V-1608REEL	U, F	D010101167160S	1	*
C444	nsp	C,CERAMIC CHIP HIK X7R)0.01UF-K/50V-1608REEL	U, F	D011103777160S	1	
C454	nsp	C,CERAMIC CHIP T.C COG)47PF-J/50V-1608REEL	U, F	D010470167160S	1	
C501	nsp	C,CERAMIC CHIP T.C COG 0.001UF-J/50V-1608REEL		D010102167160S	1	
C503	nsp	C,CERAMIC CHIP T.C COG 0.001UF-J/50V-1608REEL		D010102167160S	1	
C505	nsp	C,CERAMIC CHIP T.C COG 0.001UF-J/50V-1608REEL		D010102167160S	1	
C508-511	nsp	C,CERAMIC CHIP T.C COG 0.001UF-J/50V-1608REEL		D010102167160S	4	
C521-523	nsp	C,CERAMIC CHIP T.C COG 0.001UF-J/50V-1608REEL		D010102167160S	3	
C527	nsp	C,CERAMIC CHIP HIK X7R)0.01UF-K/50V-1608REEL		D011103777160S	1	
C529	nsp	C,CERAMIC CHIP T.C COG 0.001UF-J/50V-1608REEL		D010102167160S	1	
C531	nsp	C,CERAMIC CHIP T.C COG 0.001UF-J/50V-1608REEL		D010102167160S	1	
C532,533	nsp	C,CERAMIC CHIP HIK X7R)0.01UF-K/50V-1608REEL		D011103777160S	2	
C534	nsp	C,CERAMIC CHIP T.C COG 0.001UF-J/50V-1608REEL		D010102167160S	1	
C535,536	nsp	C,CERAMIC CHIP HIK X7R)0.01UF-K/50V-1608REEL		D011103777160S	2	
C537-539	nsp	C,CERAMIC CHIP T.C COG 0.001UF-J/50V-1608REEL		D010102167160S	3	
C541	nsp	C,CERAMIC CHIP HIK X7R)0.01UF-K/50V-1608REEL		D011103777160S	1	
C542	nsp	C,CERAMIC CHIP T.C COG 0.001UF-J/50V-1608REEL		D010102167160S	1	
C543	nsp	C,CERAMIC CHIP HIK X7R)0.01UF-K/50V-1608REEL		D011103777160S	1	
C544-546	nsp	C,CERAMIC CHIP T.C COG 0.001UF-J/50V-1608REEL		D010102167160S	3	
C548-551	nsp	C,CERAMIC CHIP T.C COG 0.001UF-J/50V-1608REEL		D010102167160S	4	
C553-557	nsp	C,CERAMIC CHIP T.C COG 0.001UF-J/50V-1608REEL		D010102167160S	5	
OTHER PARTS GROUP						
CN100	00MYJ06006320	CN.WAFER 2.0MM 20010WS-12A00 DIP12P STRAIGHT		L101200101210S	1	
CN101,102	nsp	PIN JUMPER PIN HEADER 1.27MM 64P BOX HEADER C127-BH-64G		L424012702640S	2	*
CP100	nsp	CN,WIRE 120MM/11P 20010HS-11=CKM2002HV-11 WH1007#26 연결		L000121110041S	1	
CP101	nsp	CN.WAFER 2.0MM 20010WS-09A00 DIP9P STRAIGHT		L101200100910S	1	
CP102	nsp	CN.FPC 1.0MM 1.0-9-4PW 4P AN DIP TOP CONTACT		L130100090450S	1	
CP103	nsp	CN.FPC 1.0MM 1.0-11-7P ST DIP		L130100110710S	1	
CP104	nsp	CN.FPC 1.0MM 1.0-11-11P ST DIP		L130100111110S	1	
CP105	nsp	CN.FPC 1.0MM 1.0-11-27P ST DIP		L130100112710S	1	
CP106	nsp	CN.WAFER 2.0MM 20010WS-14A00 DIP14P STRAIGHT		L101200101410S	1	
CP107	nsp	CN.WAFER 2.0MM 20010WS-05A00 DIP5P STRAIGHT		L101200100510S	1	
CP109,110	nsp	CN.FPC 1.0MM 1.0-16-7PB-2 7P ST SMT (JSY)		L130100160730S	2	
CP121	00MYJ06006320	CN.WAFER 2.0MM 20010WS-12A00 DIP12P STRAIGHT		L101200101210S	1	
BD211,212	nsp	COIL,BEAD CBW160808U121T 120ohm SMD1608 TYPE		D340160811210S	2	
BD218	nsp	COIL,BEAD CBW160808U121T 120ohm SMD1608 TYPE		D340160811210S	1	
FG101-105	nsp	BRACKET AVR133(HARMAN) BURNING HOLE SPT E 0.8V/SCREW		4010210196100S	5	
GND104,105	nsp	TERMINAL MET37-0002/TAPIG EARTH FITTING		3790040886000S	2	
JACK100	00D9630244703	JACK,D3.5 EARPHONE JACK PJ-308-02		G40130802000YS	1	
JACK101	90M-YT004540R	TER,RCA 2PIN RCA-207AE-07(OR,OR)		G601207AE070YS	1	
JACK102	963643100130S	JACK,MODULAR RJ45 1*1W/TRANSFORMER W/O LED 99TA-03188400023101		G4060RJ450120S	1	
JACK105	62201000200AS	MODULE JSR2124 25MBPS OPTICAL RECEIVER INTERFACE		E100212400010S	1	

REF No.	Part No.	Part Name	Remarks		Q'ty	New	Ver
JACK106	963622200010D	MODULE JST2165 192K 25MBPS OPTICAL TRANSMITTER INTERFACE		E100216500020S	1		
L102	nsp	COIL,CHIP DLW21SN181SQ2L COMMON MODE CHOKE COILS SMD2012		D311201211810S	1		
L103-106	nsp	COIL,BEAD CB05YTYH221-2012REEL		D340201292210S	4		
L107,108	nsp	COIL,CHIP DLW21SN900HQ2L COMMON MODE CHOKE COILS SMD2012		D311201219000S	2		
L109	nsp	R,CHIP THICK 0-J,1/10W-2012REEL		C200000060200S	1		
L110-121	nsp	COIL,BEAD CB05YTYH221-2012REEL		D340201292210S	12		
L145,146	nsp	R,CHIP THICK 0-J,1/16W-1608REEL		C20000006M160S	2		
L147	nsp	COIL,BEAD CBW160808U121T 120ohm SMD1608 TYPE		D340160811210S	1		
L148,149	nsp	COIL,BEAD HB-1M1608-221JT CIM10J221NC 220 OHM		D340116082210S	2		
PACK100	963189100860D	TUNER,FM/AM KST-MW004MV1-S63SV-1 4GANG+MW+50US NA	U	E903004103630S	1		
PACK100	963189100850D	TUNER,FM/AM KST-MW004MV1-S63-1 FM/AM NA	F	E903004101630S	1		
SW100	00D9630045708	SW,TACT SKHV10920A,5MM/260G-REEL		G180000270010S	1		
SW101	963674100130S	SW,SLIDE CSS-2219(9mm) SLIDE SWITCH		G060221900020S	1	*	
SW102,103	963662100130S	SW,TACT THHH583RAA VERTICAL TACT SWITCH 260G		G180583000010S	2		
X100	00D9630217701	RESONATOR,CERAMIC ZTT12.00MT-TF C1,C2=22PF 3PIN 2.5-REEL		E830120000060S	1		
X102	963141100940S	CRYSTAL CHIP 24.576MHz CL=10PF XS-3225 SMD3225 ECEC		E80524R576190S	1		
X103	963142111000D	OSCILATOR,CERAMIC CHIP OS-3225 30.0000MHZ 3.3V SMD3225 ECEC		E85530R000090S	1		
★	nsp	BRACKET AVRX2100BKE3 SPCC t0.5 Sn-Plating A4/SCREW L10		4010216016000S	1		
★	nsp	SCREW,TAP TITE +3S 3*8 BK/BH		B020930083B10S	1		

AUDIO PCB ASS'Y

※Parts indicated by "nsp" on this table cannot be supplied.

※The parts listed below are only for maintenance. Therefore they might differ from the parts used in the unit in appearances or dimensions.

NOTE:The symbols in the column Remarks indicate the following destinations.

U : North America model N : Europe model K : China model F : Japan model

B : Black model SG : Silver Gold model

REF No.	Part No.	Part Name	Remarks	Q'ty	New	Ver
SEMICONDUCTORS GROUP						
D115,116	963201500160D	D,SWITCHING 1N4007 52REEL 1000V 1A		K000400700220S	2	
D117-132	00D2760401905	D,SWITCHING 1SS133-DO34-AXIAL LRC		K000013300040S	16	
IC112	963231102060S	IC,LINEAR-REGULATOR NJM2387ADL3 1A 0.2V TO252-5 LOW DROP VOL REGULATOR		J126238700010S	1	
LD100	963263100510S	LED,ROUND WEJ3290W-R2H0-BA 3PI RED/YELLOW GREEN BI-COLOR		K500032451010S	1	
LED100	963263101000S	LED,IR BIR-BM1341W 3PI INFRARED LED		K505134101050S	1	
LED101,102	963263101050S	LED,ROUND BL-BUF4V5K-1-HS-NP-AT 3PI RED STRAIGHT LEAD TYPE		K500032001360S	2	*
Q109	963216500220P	SEMI,CHIP TR/NPN 2SC DTC114EKAT146 0.2W/SMT3-REEL		J5220114E0210S	1	
Q110,111	00D2730460905	SEMI,CHIP TR/NPN 2SC KTC2875B(MB) 0.15W/LOW-ON-RES SOT23(RTK)-REEL		J5222875B0010S	2	
Q112	00D2690083901	SEMI,CHIP TR/PNP 2SA DTA114EKAT146 0.2W/SMT3 REEL		J5200114E0210S	1	
Q113	963216500220P	SEMI,CHIP TR/NPN 2SC DTC114EKAT146 0.2W/SMT3-REEL		J5220114E0210S	1	
Q114,115	00D2730460905	SEMI,CHIP TR/NPN 2SC KTC2875B(MB) 0.15W/LOW-ON-RES SOT23(RTK)-REEL		J5222875B0010S	2	
Q116	00D9600196205	SEMI,TR/GE PNP 2SA KSA992F,0.5W/TO92-REEL		J5000992F0050S	1	
Q117,118	00D9600196506	SEMI,TR/GE NPN 2SC KSC1845F,0.5W/TO92-REEL		J5021845F0000S	2	
Q119	00D9600196205	SEMI,TR/GE PNP 2SA KSA992F,0.5W/TO92-REEL		J5000992F0050S	1	
Q120	00D9600196506	SEMI,TR/GE NPN 2SC KSC1845F,0.5W/TO92-REEL		J5021845F0000S	1	
Q121,122	00D9600196205	SEMI,TR/GE PNP 2SA KSA992F,0.5W/TO92-REEL		J5000992F0050S	2	
Q123-125	00D9600196506	SEMI,TR/GE NPN 2SC KSC1845F,0.5W/TO92-REEL		J5021845F0000S	3	
Q126	00D9600196205	SEMI,TR/GE PNP 2SA KSA992F,0.5W/TO92-REEL		J5000992F0050S	1	
Q127	00D9600196506	SEMI,TR/GE NPN 2SC KSC1845F,0.5W/TO92-REEL		J5021845F0000S	1	
Q129	00D9600196506	SEMI,TR/GE NPN 2SC KSC1845F,0.5W/TO92-REEL		J5021845F0000S	1	
Q130	00D9600196205	SEMI,TR/GE PNP 2SA KSA992F,0.5W/TO92-REEL		J5000992F0050S	1	
Q131	00D9600196506	SEMI,TR/GE NPN 2SC KSC1845F,0.5W/TO92-REEL		J5021845F0000S	1	
Q133	00D9600196506	SEMI,TR/GE NPN 2SC KSC1845F,0.5W/TO92-REEL		J5021845F0000S	1	
Q134,135	00D9600196205	SEMI,TR/GE PNP 2SA KSA992F,0.5W/TO92-REEL		J5000992F0050S	2	
Q136,137	00D9600196506	SEMI,TR/GE NPN 2SC KSC1845F,0.5W/TO92-REEL		J5021845F0000S	2	
Q138,139	00D9600196205	SEMI,TR/GE PNP 2SA KSA992F,0.5W/TO92-REEL		J5000992F0050S	2	
Q140-142	00D9600196506	SEMI,TR/GE NPN 2SC KSC1845F,0.5W/TO92-REEL		J5021845F0000S	3	
Q143	00D9600196205	SEMI,TR/GE PNP 2SA KSA992F,0.5W/TO92-REEL		J5000992F0050S	1	
Q144	00D9600196506	SEMI,TR/GE NPN 2SC KSC1845F,0.5W/TO92-REEL		J5021845F0000S	1	
Q146	00D9600196205	SEMI,TR/GE PNP 2SA KSA992F,0.5W/TO92-REEL		J5000992F0050S	1	
Q147	00D9600196506	SEMI,TR/GE NPN 2SC KSC1845F,0.5W/TO92-REEL		J5021845F0000S	1	
Q148	00D9600196205	SEMI,TR/GE PNP 2SA KSA992F,0.5W/TO92-REEL		J5000992F0050S	1	
Q149,150	00D9600196506	SEMI,TR/GE NPN 2SC KSC1845F,0.5W/TO92-REEL		J5021845F0000S	2	
Q151	00D9600196205	SEMI,TR/GE PNP 2SA KSA992F,0.5W/TO92-REEL		J5000992F0050S	1	
Q152	00D9600196506	SEMI,TR/GE NPN 2SC KSC1845F,0.5W/TO92-REEL		J5021845F0000S	1	
Q153	00D9600196205	SEMI,TR/GE PNP 2SA KSA992F,0.5W/TO92-REEL		J5000992F0050S	1	
Q154,155	00D2730460905	SEMI,CHIP TR/NPN 2SC KTC2875B(MB) 0.15W/LOW-ON-RES SOT23(RTK)-REEL		J5222875B0010S	2	
Q156	00D9600196205	SEMI,TR/GE PNP 2SA KSA992F,0.5W/TO92-REEL		J5000992F0050S	1	
Q157	00D2730460905	SEMI,CHIP TR/NPN 2SC KTC2875B(MB) 0.15W/LOW-ON-RES SOT23(RTK)-REEL		J5222875B0010S	1	
Q158-161	00D2690192902	SEMI,CHIP TR/NPN 2SC KRC102S (NB) 0.2W/SOT-23 REEL		J522010200210S	4	
Q166	00D2730460905	SEMI,CHIP TR/NPN 2SC KTC2875B(MB) 0.15W/LOW-ON-RES SOT23(RTK)-REEL		J5222875B0010S	1	
Q168	00D9600196205	SEMI,TR/GE PNP 2SA KSA992F,0.5W/TO92-REEL		J5000992F0050S	1	
Q171	00D9600196205	SEMI,TR/GE PNP 2SA KSA992F,0.5W/TO92-REEL		J5000992F0050S	1	
Q518	00D2690184907	SEMI,CHIP TR/PNP 2SA KRA102S(PB) 0.2W/SOT-23 REEL		J520010200210S	1	
U100,101	963222500370S	SEMI,FET CHIP 2SK2145GR N-CH SMV TOSHIBA		J543214500010S	2	*
ZD100	963202500260S	D,ZENER CHIP 0.2W 2.7V UDZV SERIES (UMD2 TYPE)		K06602R76P400S	1	
RESISTOR GROUP						
R293	nsp	R,CARBON FILM 91-J,1/5W-52RE-AX		C00009106P520S	1	*
R294	nsp	R,CARBON FILM 330-J,1/5W-52RE-AX		C00003316P520S	1	
R295,296	00MGD05152160	R,CARBON FILM 1.5K-J,1/5W-52RE-AX		C00001526P520S	2	
R297,298	nsp	R,CHIP THICK 2.2K-J,1/16W-1608REEL		C20002226M160S	2	
R299,300	00MGD05152160	R,CARBON FILM 1.5K-J,1/5W-52RE-AX		C00001526P520S	2	
R301	nsp	R,CARBON FILM 10-J,1/5W-52RE-AX		C00001006P520S	1	
R302,303	nsp	R,CHIP THICK 2.2K-J,1/16W-1608REEL		C20002226M160S	2	
R304	nsp	R,CARBON FILM 10-J,1/5W-52RE-AX		C00001006P520S	1	
R305,306	00MGD05152160	R,CARBON FILM 1.5K-J,1/5W-52RE-AX		C00001526P520S	2	
R307-310	nsp	R,CARBON FILM 1K-J,1/5W-52RE-AX		C00001026P520S	4	
R311,312	nsp	R,CARBON FILM 10-J,1/5W-52RE-AX		C00001006P520S	2	
R314,315	nsp	R,CARBON FILM 10K-J,1/5W-52RE-AX		C00001036P520S	2	
R318,319	nsp	R,CARBON FILM 10K-J,1/5W-52RE-AX		C00001036P520S	2	
R321,322	963121006330M	R,CARBON FILM 47K-J,1/5W-52RE-AX		C00004736P520S	2	
R323-326	nsp	R,CARBON FILM 10K-J,1/5W-52RE-AX		C00001036P520S	4	
R327-330	nsp	R,CARBON FILM 4.7K-J,1/5W-52RE-AX		C00004726P520S	4	
R331-334	nsp	R,CARBON FILM 22-J,1/5W-52RE-AX		C00002206P520S	4	
R335,336	nsp	R,CARBON FILM 120-J,1/5W-52RE-AX		C00001216P520S	2	*
R337	nsp	R,CARBON FILM 5.6K-J,1/5W-52RE-AX		C00005626P520S	1	
R338,339	nsp	R,CARBON FILM 56-J,1/5W-52RE-AX		C00005606P520S	2	
R340,341	nsp	R,CARBON FILM 5.6K-J,1/5W-52RE-AX		C00005626P520S	2	
R342,343	nsp	R,CARBON FILM 56-J,1/5W-52RE-AX		C00005606P520S	2	
R344	nsp	R,CARBON FILM 5.6K-J,1/5W-52RE-AX		C00005626P520S	1	
R345,346	nsp	R,CARBON FILM 120-J,1/5W-52RE-AX		C00001216P520S	2	*
R347,348	nsp	R,CARBON FILM 68-J,1/5W-52RE-AX		C00006806P520S	2	
R349,350	nsp	R,CARBON FILM 560-J,1/5W-52RE-AX		C00005616P520S	2	
R351,352	nsp	R,CARBON FILM 33K-J,1/5W-52RE-AX		C00003336P520S	2	
R353,354	nsp	R,CARBON FILM 100K-J,1/5W-52RE-AX		C00001046P520S	2	
R355,356	nsp	R,CARBON FILM 560-J,1/5W-52RE-AX		C00005616P520S	2	
R357,358	nsp	R,CARBON FILM 470-J,1/5W-52RE-AX		C00004716P520S	2	
R359,360	nsp	R,CARBON FILM 100-J,1/5W-52RE-AX		C00001016P520S	2	
R361,362	nsp	R,CARBON FILM 33K-J,1/5W-52RE-AX		C00003336P520S	2	
R365-368	nsp	R,CARBON FILM 470-J,1/5W-52RE-AX		C00004716P520S	4	
R369-372	nsp	R,CARBON FILM 180-J,1/5W-52RE-AX		C00001816P520S	4	
R373-376	nsp	R,CARBON FILM 47-J,1/5W-52RE-AX		C00004706P520S	4	*
R377,378	nsp	R,CARBON FILM 200-J,1/5W-52RE-AX		C00002016P520S	2	*
R379	nsp	R,CARBON FILM 6.8K-J,1/5W-52RE-AX		C00006826P520S	1	*
R380,381	nsp	R,CARBON FILM 56-J,1/5W-52RE-AX		C00005606P520S	2	
R382,383	nsp	R,CARBON FILM 6.8K-J,1/5W-52RE-AX		C00006826P520S	2	*
R384,385	nsp	R,CARBON FILM 56-J,1/5W-52RE-AX		C00005606P520S	2	
R386	nsp	R,CARBON FILM 6.8K-J,1/5W-52RE-AX		C00006826P520S	1	*
R387-390	nsp	R,CARBON FILM 33-J,1/5W-52RE-AX		C00003306P520S	4	*
R391,392	963121006330M	R,CARBON FILM 47K-J,1/5W-52RE-AX		C00004736P520S	2	
R393,394	nsp	R,CARBON FILM 68-J,1/5W-52RE-AX		C00006806P520S	2	
R395,396	nsp	R,CHIP THICK 2.2K-J,1/16W-1608REEL		C20002226M160S	2	
R397	nsp	R,CARBON FILM 68-J,1/5W-52RE-AX		C00006806P520S	1	
R398	nsp	R,CHIP THICK 2.2K-J,1/16W-1608REEL		C20002226M160S	1	
R399	nsp	R,CARBON FILM 68-J,1/5W-52RE-AX		C00006806P520S	1	
R400	nsp	R,CHIP THICK 2.2K-J,1/16W-1608REEL		C20002226M160S	1	
R401,402	nsp	R,CARBON FILM 22-J,1/5W-52RE-AX		C00002206P520S	2	
R403	nsp	R,CHIP THICK 47K-J,1/16W-1608REEL		C20004736M160S	1	

REF No.	Part No.	Part Name	Remarks	Q'ty	New	Ver
R404	nsp	R,CHIP THICK 180-J,1/16W-1608REEL		C20001816M160S	1	
R405	nsp	R,CHIP THICK 0-J,1/10W-1608REEL		C20000060161S	1	
R406	nsp	R,CHIP THICK 180-J,1/16W-1608REEL		C20001816M160S	1	
R407	nsp	R,CHIP THICK 0-J,1/10W-1608REEL		C20000060161S	1	
R408	nsp	R,CHIP THICK 560-J,1/16W-1608REEL		C20005616M160S	1	
R411	nsp	R,CHIP THICK 150-J,1/16W-1608REEL		C20001516M160S	1	
R412	nsp	R,CHIP THICK 180-J,1/16W-1608REEL		C20001816M160S	1	
R413	nsp	R,CHIP THICK 270-J,1/16W-1608REEL		C20002716M160S	1	
R414	nsp	R,CHIP THICK 390-J,1/16W-1608REEL		C20003916M160S	1	
R415,416	nsp	R,CHIP THICK 1K-J,1/16W-1608REEL		C20001026M160S	2	
R417	nsp	R,CHIP THICK 1.5K-J,1/16W-1608REEL		C20001526M160S	1	
R418	nsp	R,CHIP THICK 0-J,1/10W-1608REEL		C20000060161S	1	
R419	nsp	R,CHIP THICK 1.5K-J,1/16W-1608REEL		C20001526M160S	1	
R420	nsp	R,CHIP THICK 0-J,1/10W-1608REEL		C20000060161S	1	
R426,427	nsp	R,CHIP THICK 0-J,1/10W-1608REEL		C20000060161S	2	
R428	nsp	R,CHIP THICK 10K-J,1/16W-1608REEL		C20001036M160S	1	
R429	nsp	R,CHIP THICK 1M-J,1/16W-1608REEL		C20001056M160S	1	
R430	nsp	R,CHIP THICK 0-J,1/10W-1608REEL		C20000060161S	1	
R433	nsp	R,CHIP THICK 0-J,1/10W-1608REEL		C20000060161S	1	
R434	nsp	R,CHIP THICK 150-J,1/16W-1608REEL		C20001516M160S	1	
R435	nsp	R,CHIP THICK 180-J,1/16W-1608REEL		C20001816M160S	1	
R436	nsp	R,CHIP THICK 270-J,1/16W-1608REEL		C20002716M160S	1	
R437	nsp	R,CHIP THICK 390-J,1/16W-1608REEL		C20003916M160S	1	
R438	nsp	R,CHIP THICK 15K-J,1/16W-1608REEL		C20001536M160S	1	
R439	nsp	R,CHIP THICK 8.2K-J,1/16W-1608REEL		C20008226M160S	1	
R440	nsp	R,CHIP THICK 2K-J,1/16W-1608REEL		C20002026M160S	1	
R441	nsp	R,CHIP THICK 0-J,1/10W-1608REEL		C20000060161S	1	
R442	nsp	R,CHIP THICK 150-J,1/16W-1608REEL		C20001516M160S	1	
R443	nsp	R,CHIP THICK 180-J,1/16W-1608REEL		C20001816M160S	1	
R444	nsp	R,CHIP THICK 270-J,1/16W-1608REEL		C20002716M160S	1	
R445	nsp	R,CHIP THICK 390-J,1/16W-1608REEL		C20003916M160S	1	
R447	nsp	R,CHIP THICK 10K-J,1/16W-1608REEL		C20001036M160S	1	
R528	nsp	R,CHIP THICK 100-J,1/16W-1608REEL		C20001016M161S	1	
R548	nsp	R,CHIP THICK 100-J,1/16W-1608REEL		C20001016M161S	1	
R549	nsp	R,CHIP THICK 47K-J,1/16W-1608REEL		C20004736M160S	1	
V430	963679100010S	VR,ROTARY 9MM RK09L12B0A01-10KA		C451121302020S	1	*
CAPACITORS GROUP						
C239,240	nsp	C,CERAMIC CHIP HIK X7R)0.1UF-K/25V-1608REEL		D011104774161S	2	
C241	nsp	C,CERAMIC CHIP HIK X7R0.01UF-K/50V-1608REEL		D011103777160S	1	
C242-245	nsp	C,CERAMIC CHIP T.C COG 0.001UF-J/50V-1608REEL		D010102167160S	4	
C246	963134503530S	C,ELECT GE 85C 220UF-M/16V,10*20 ROS-16V221MH5 ELNA		D040221083660S	1	*
C247,248	963133502250S	C,FILM P.PROPYLENE 560PF-J/100V FNS(135)100VDC561JTP SHINYEI		D02156106C020S	2	*
C249-252	963133502260S	C,FILM P.PROPYLENE 820PF-J/100V FNS(135)100VDC821JTP SHINYEI		D02182106C020S	4	*
C253,254	00D2544574919	C,ELECT GE 85C 47UF-M/50V,6.3*11 RA3-50V470MF3#8P-T2 ELNA		D040470087330S	2	
C255-258	963133502270S	C,FILM P.PROPYLENE 180PF-K/200V FAS(133)200VDC181KTP SHINYEI		D02118107G020S	4	*
C260	00D2544541939	C,ELECT GE 85C 47UF-M/25V 5*11-5RE.SMS SY		D040470084070S	1	
C262	00D2544541939	C,ELECT GE 85C 47UF-M/25V 5*11-5RE.SMS SY		D040470084070S	1	
C263,264	963133501540S	C,FILM POLYESTER ST-0.00022UF-J/100V-5RE		D02022106C050S	2	
C265,266	nsp	C,ELECT GE 85C 10UF-M/63V 5*11 5REEL SHL SERIES SAMYOUNG		D040100088050S	2	*
C267,268	963133502280S	C,FILM P.PROPYLENE 220PF-K/200V FAS(133)200VDC221KTP SHINYEI		D02122107G020S	2	*
C270	963133502290S	C,FILM P.PROPYLENE 47PF-K/200V FAS(133)200VDC470KTP SHINYEI		D02147007G020S	1	*
C272	963133502290S	C,FILM P.PROPYLENE 47PF-K/200V FAS(133)200VDC470KTP SHINYEI		D02147007G020S	1	*
C273	nsp	C,CERAMIC CHIP HIK X7R)0.1UF-K/25V-1608REEL		D011104774161S	1	
C274,275	963134503570S	C,ELECT GE 85C 220UF-M/25V,10*20 ROA-25V221MH5 ELNA		D040221084440S	2	*
C276,277	963134503580S	C,ELECT GE 85C 22UF-M/50V,5*11 RFO-50V220ME3P ELNA		D040220087220S	2	*
C278,279	963133502300S	C,FILM P.PROPYLENE 100PF-K/200V FAS(133)200VDC101KTP SHINYEI		D02110107G020S	2	*
C280,281	963134503580S	C,ELECT GE 85C 22UF-M/50V,5*11 RFO-50V220ME3P ELNA		D040220087220S	2	*
C282,283	963134503550S	C,ELECT GE 85C 100UF-M/25V,10*16 ROS-25V101MH4 ELNA		D040101084660S	2	*
C286,287	nsp	C,CERAMIC CHIP T.C COG100PF-J/50V-1608REEL		D010101167160S	2	
C288,289	nsp	C,CERAMIC CHIP T.C COG 0.001UF-J/50V-1608REEL		D010102167160S	2	
C290	nsp	C,CERAMIC CHIP HIK X7R)0.1UF-K/25V-1608REEL		D011104774161S	1	
C296	nsp	C,CERAMIC CHIP HIK X7R)0.1UF-K/50V-1608REEL		D011104577160S	1	
C297	nsp	C,CERAMIC CHIP HIK X7R)0.1UF-K/25V-1608REEL		D011104774161S	1	
C298	nsp	C,CERAMIC CHIP T.C COG 0.001UF-J/50V-1608REEL		D010102167160S	1	
C299	nsp	C,CERAMIC CHIP HIK X7R0.01UF-K/50V-1608REEL		D011103777160S	1	
C300,301	nsp	C,CERAMIC CHIP HIK X7R)0.1UF-K/25V-1608REEL		D011104774161S	2	
C302	00D9630333300	C,ELECT GE 85C 47UF-M/16V,6.3*5-5RE.SRE SY		D040470083070S	1	
C303	nsp	C,CERAMIC CHIP T.C COG 0.001UF-J/50V-1608REEL		D010102167160S	1	
C304	nsp	C,CERAMIC CHIP HIK X7R0.01UF-K/50V-1608REEL		D011103777160S	1	
C305,306	nsp	C,CERAMIC CHIP HIK X7R)0.1UF-K/25V-1608REEL		D011104774161S	2	
C307	nsp	C,CERAMIC CHIP HIK X7R)4.7UF-K/10V-1608REEL		D011475772161S	1	
C308	nsp	C,ELECT GE 85C 10UF-M/16V,4*5-2.5RE (Pb Free)		D040100083140S	1	*
C310	nsp	C,CERAMIC CHIP HIK Y5V1UF-Z/50V-1608REEL		D011105597160S	1	
C311	nsp	C,ELECT GE 85C 220UF-M/6.3V,8*5-5RE SRE SY		D040221081070S	1	
C314	nsp	C,CERAMIC CHIP T.C COG 0.001UF-J/50V-1608REEL		D010102167160S	1	
C315	nsp	C,CERAMIC CHIP HIK X7R)0.1UF-K/25V-1608REEL		D011104774161S	1	
C316	nsp	C,CERAMIC CHIP HIK Y5V1UF-Z/50V-1608REEL		D011105597160S	1	
C317	nsp	C,CERAMIC CHIP HIK X7R0.01UF-K/50V-1608REEL		D011103777160S	1	
C318	nsp	C,CERAMIC CHIP HIK Y5V1UF-Z/50V-1608REEL		D011105597160S	1	
C319	nsp	C,CERAMIC CHIP T.C COG 0.001UF-J/50V-1608REEL		D010102167160S	1	
C320	963134002720S	C,ELECT GE 85C 10UF-M/50V,5*7-5RE SRA SY (Pb Free)		D040100087080S	1	
C321	nsp	C,CERAMIC CHIP HIK X7R)0.1UF-K/25V-1608REEL		D011104774161S	1	
C322	nsp	C,CERAMIC CHIP HIK X7R)4.7UF-K/10V-1608REEL		D011475772161S	1	
C323	nsp	C,CERAMIC CHIP HIK X7R)0.1UF-K/25V-1608REEL		D011104774161S	1	
C324	nsp	C,CERAMIC CHIP HIK X7R)4.7UF-K/10V-1608REEL		D011475772161S	1	
C325	nsp	C,CERAMIC CHIP HIK X7R)0.1UF-K/25V-1608REEL		D011104774161S	1	
C326	nsp	C,CERAMIC CHIP T.C COG 0.001UF-J/50V-1608REEL		D010102167160S	1	
C327	nsp	C,CERAMIC CHIP HIK X7R)0.1UF-K/25V-1608REEL		D011104774161S	1	
C328	963134501670S	C,ELECT GE 85C 0.47UF-M/50V,3*5-5RE SY		D040R47087110S	1	
C329	nsp	C,CERAMIC CHIP T.C COG 0.001UF-J/50V-1608REEL		D010102167160S	1	
C330	nsp	C,CERAMIC CHIP HIK X7R0.01UF-K/50V-1608REEL		D011103777160S	1	
C331	nsp	C,CERAMIC CHIP T.C COG100PF-J/50V-1608REEL		D010101167160S	1	
C333	nsp	C,CERAMIC CHIP HIK X7R0.01UF-K/50V-1608REEL		D011103777160S	1	
C334,335	nsp	C,CERAMIC CHIP T.C COG 0.001UF-J/50V-1608REEL		D010102167160S	2	
C338	00D2544574919	C,ELECT GE 85C 47UF-M/50V,6.3*11-5RE.SMS SY (Pb Free)		D040470087070S	1	
C342-344	nsp	C,CERAMIC CHIP HIK X7R)0.1UF-K/25V-1608REEL		D011104774161S	3	
OTHER PARTS GROUP						
CN103	nsp	CN,WIRE 2MM 50MM/5P 20010HS-05=CKM2002HR-05 WH1007#26 2.0MM		L002500050030S	1	
CN105	nsp	CN,WIRE 2MM 370MM/5P 20010HS-05=CKM2002HV-05 WH2725#24,28		L002371050060S	1	*
CP112	nsp	CN,WIRE 2MM 140MM/12P 20010HS-12=CKM2002HV-12 RD1007#26 TWIST		L002141120060S	1	*
CP113	nsp	CN,WIRE 2MM 160MM/7P 20010HS-07=CKM2002HV-07 BK1007,2547#26 SH		L002161070120S	1	*
CP114	nsp	CN,WAFER 2.0MM 20010WS-07A00 DIP7P STRAIGHT		L101200100710S	1	
CP117	nsp	CN,WAFER 2.0MM 20010WS-05A00 DIP5P STRAIGHT		L101200100510S	1	
CP118	nsp	CN,FPC 1.0MM 1.0S-12X-30PW 30P AN DIP BOTTOM CONTACT		L130100123020S	1	
CP119	nsp	CN,FPC 1.0MM 1.0-11S-27PW 27P AN DIP TOP CONTACT		L130100112750S	1	*
CP120	nsp	CN,WIRE 2MM 110MM/7P 20010HS-07=CKM2002HR-07 WH1007#26		L002111072630S	1	*

REF No.	Part No.	Part Name	Remarks		Q'ty	New	Ver
CP130	nsp	CN.WAFER 2.0MM 20010WS-06A00 DIP6P STRAIGHT		L101200100610S	1		
B100	nsp	RING,TER WIRE 150MM/1P 602-BS(3.2),B1011TOP-2(1.0) BK1007#24		8410151010120S	1	*	
BKT403	nsp	BRACKET AVR133(HARMAN) BURNING HOLE SPTE 0.8/SCREW		4010210196100S	1		
FG106	nsp	BRACKET AVR133(HARMAN) BURNING HOLE SPTE 0.8/SCREW		4010210196100S	1		
FG108	nsp	BRACKET AVR133(HARMAN) BURNING HOLE SPTE 0.8/SCREW		4010210196100S	1		
GND122	nsp	TERMINAL MET37-0002/TAPIG EARTH FITTING		3790040886000S	1		
J201,202	nsp	R,CHIP THICK 0-J,1/10W-2012REEL		C200000060200S	2		
J300-352	nsp	CN,WIRE 1P JUMPER (0.6/52MM)		L045084006040S	53		
J353	nsp	R,CHIP THICK 0-J,1/8W-3216REEL		C200000061300S	1		
J354	nsp	CN,WIRE 1P JUMPER (0.6/52MM)		L045084006040S	1		
J355	nsp	R,CHIP THICK 0-J,1/10W-2012REEL		C200000060200S	1		
J356-374	nsp	CN,WIRE 1P JUMPER (0.6/52MM)		L045084006040S	19		
J375	nsp	R,CHIP THICK 0-J,1/8W-3216REEL		C200000061300S	1		
J376-382	nsp	CN,WIRE 1P JUMPER (0.6/52MM)		L045084006040S	7		
J383	nsp	R,CHIP THICK 0-J,1/8W-3216REEL		C200000061300S	1		
J384-387	nsp	CN,WIRE 1P JUMPER (0.6/52MM)		L045084006040S	4		
J388,389	nsp	R,CHIP THICK 0-J,1/8W-3216REEL		C200000061300S	2		
JACK103	963643101120S	JACK,D6.5 PHONE (YUQIU) D6.5 9P SILVER PJ-612A-9		G402PJ612A09YS	1		
JACK104	963643101610D	CN,PLUG CONTACT USB A F 180 DIP L=15.0		G480040000180S	1		
JK100	963643103130S	TER,RCA 1PIN Jack RCA-117G-06(WH)		G600117G06000S	1	*	
JK101	963643103140S	TER,RCA 1PIN Jack RCA-117G-05(RD)		G600117G05000S	1	*	
L122-125	nsp	COIL,BEAD BLM21PG221SN1 220ohm 2A SMD2012 TYPE		D340201212210S	4		
L126-128	nsp	R,CHIP THICK 0-J,1/10W-2012REEL		C200000060201S	3		
L129,130	nsp	COIL,BEAD BLM21PG221SN1 220ohm 2A SMD2012 TYPE		D340201212210S	2		
L131	nsp	R,CHIP THICK 0-J,1/10W-2012REEL		C200000060201S	1		
L132-139	nsp	COIL,BEAD BLM21PG221SN1 220ohm 2A SMD2012 TYPE		D340201212210S	8		
L140-144	963115100320S	COIL,BEAD CBW201209U221T 220ohm SMD2012 TYPE		D340201202210S	5		
L158	nsp	COIL,BEAD BLM21PG221SN1 220ohm 2A SMD2012 TYPE		D340201212210S	1		
RMC100	963262100320S	MODULE,REMOCON R94FH1A 38KHZ LEAD BENDING TYPE		E940941003810S	1	*	
S100-111	00D9630045708	SW,TACT SKHV10920A,5MM/260G-REEL		G180000270010S	12		
ST101,102	nsp	CLAMP HMX9800(ON)(HAITAI) (W=2.6,L=50)/WIRE(SOLDER)		4330000120000S	2		

POWER PCB ASS'Y

※Parts indicated by "nsp" on this table cannot be supplied.

※The parts listed below are only for maintenance. Therefore they might differ from the parts used in the unit in appearances or dimensions.

NOTE:The symbols in the column Remarks indicate the following destinations.

U : North America model N : Europe model K : China model F : Japan model

B : Black model SG : Silver Gold model

REF No.	Part No.	Part Name	Remarks	Q'ty	New	Ver
SEMICONDUCTORS GROUP						
D138-143	00D2760751901	D,RECTIFIER CHIP 1SR154-400 TE25(SMD)		K045154000000S	6	
D144,145	963203500300D	D,RECTIFIER BRIDGE DIODE BRIDGE D10SB60 600V/10A STRAIGHT TYPE		K047100600220S	2	
D146-153	00D2760751901	D,RECTIFIER CHIP 1SR154-400 TE25(SMD)		K045154000000S	8	
D154-157	963201500160D	D,SWITCHING 1N4007 52REEL 1000V 1A		K000400700220S	4	
D158,159	00D2760401905	D,SWITCHING 1SS133-DO34-AXIAL LRC		K000013300040S	2	
D160	00D9600197000	D,SWITCHING CHIP KDS160(UF) /USC		K005016000010S	1	
D162-166	00D2760751901	D,RECTIFIER CHIP 1SR154-400 TE25(SMD)		K045154000000S	5	
D167,168	00D9600197000	D,SWITCHING CHIP KDS160(UF) /USC		K005016000010S	2	
D169,170	00D2760751901	D,RECTIFIER CHIP 1SR154-400 TE25(SMD)	U, F	K045154000000S	2	
D172,173	963204500480S	D,SCHOTTKY RB051L-40-TE25 VF=0.45V VR=20V PMDS(SOD-106)		K120051400010S	2	*
D175,176	963204500480S	D,SCHOTTKY RB051L-40-TE25 VF=0.45V VR=20V PMDS(SOD-106)		K120051400010S	2	*
D179,180	963204500480S	D,SCHOTTKY RB051L-40-TE25 VF=0.45V VR=20V PMDS(SOD-106)		K120051400010S	2	*
D182-184	963204500480S	D,SCHOTTKY RB051L-40-TE25 VF=0.45V VR=20V PMDS(SOD-106)		K120051400010S	3	*
D185-187	963201500160D	D,SWITCHING 1N4007 52REEL 1000V 1A		K000400700220S	3	
IC118	963231102100S	IC,LINEAR-REGULATOR AZ1086D-ADJTR1 TO-252-2(1) TAPE REEL LOW DROPOUT		J126108600080S	1	*
IC119	963231102110S	IC,LINEAR-REGULATOR AP2132BMP-1.2TRG1 PSOP8 DIODES		J126213212010S	1	*
IC120	963231102120S	IC,LINEAR-REGULATOR BA00JC5WT-V5 1.5A LOW DROP TO220FP-5		J12600000060S	1	*
IC122	963231102120S	IC,LINEAR-REGULATOR BA00JC5WT-V5 1.5A LOW DROP TO220FP-5		J12600000060S	1	*
IC123	00D9630057806	IC,LINEAR-REGULATOR KIA78R05PI 15W TO220-4 (MOLD)		J126780500370S	1	
IC124	00D2631242905	IC,LINEAR-REGULATOR NJM2831F33 3.3V 0.13A LDO WITH ON/OFF SOT-23-5P		J126283133010S	1	
IC125	00D9630226608	IC,LINEAR-REGULATOR KIA78R33PI 3.3V LOW DROP 1A TO220IS-4 (MOLD TYPE)		J12678R330010S	1	
IC128,129	963224501020S	SEMI,FET CHIP RAQ045P01-TLB TSMT6 P-CH MOSFET		J543045010060S	2	
IC131	963231102130S	IC,LINEAR-REGULATOR AP2132MP-1.8TRG1 PSOP8 DIODES		J126213218010S	1	*
IC134	00D2630553006	IC,LINEAR-REGULATOR NJM7805FA,16W-TO220F MOLD		J126780500130S	1	
IC135	963231102140S	IC,LINEAR-REGULATOR LM1117RS-3.3V TO252 3.3V 1AMP(LOW DROP)		J126111733040S	1	*
Q162	963213500360S	SEMI,CHIP TR/NPN 2SC 2SC4081(NB) 0.2W/UMT3-REEL SC-70		J522408100010S	1	*
Q163	00D2690192902	SEMI,CHIP TR/NPN 2SC KRC102S (NB) 0.2W/SOT-23 REEL		J522010200210S	1	
Q164	963214500360S	SEMI,TR/GE NPN 2SD 2SD2081 TO220F		J503208100010S	1	*
Q165	963212500320S	SEMI,TR/GE PNP 2SB 2SB1259 TO220F		J501125900010S	1	*
Q500,501	00D2690192902	SEMI,CHIP TR/NPN 2SC KRC102S (NB) 0.2W/SOT-23 REEL		J522010200210S	2	
Q505	00D2690192902	SEMI,CHIP TR/NPN 2SC KRC102S (NB) 0.2W/SOT-23 REEL	U, F	J522010200210S	1	
Q513	00D2690192902	SEMI,CHIP TR/NPN 2SC KRC102S (NB) 0.2W/SOT-23 REEL		J522010200210S	1	
ZD101	963202500940S	D,ZENER CHIP LUDZS3.6BT1G 0.2W 3.6V SOD-323 LRC		K06603R64P430S	1	*
ZD102,103	963202500950S	D,ZENER ZJ13B-0.5W/5MA-52MM SEMTECH		K06013R044522S	2	*
ZD106	963202500960S	D,ZENER ZJ12B-0.5W/5MA-52MM SEMTECH	U, F	K06012R044522S	1	*
RESISTOR GROUP						
R512	nsp	R,CHIP THICK 4.7K-J,1/16W-1608REEL		C20004726M160S	1	
R513	nsp	R,CHIP THICK 10K-J,1/16W-1608REEL		C20001036M160S	1	
R515	nsp	R,CHIP THICK 10K-J,1/16W-1608REEL		C20001036M160S	1	
R517,518	nsp	R,CHIP THICK 10K-J,1/16W-1608REEL		C20001036M160S	2	
R519	nsp	R,CHIP THICK 150K-J,1/16W-1608REEL		C20001546M161S	1	*
R520	nsp	R,CHIP THICK 820-F,1/16W-1608REEL		C20008214M160S	1	*
R522	nsp	R,CHIP THICK 120K-J,1/16W-1608REEL		C20001246M160S	1	
R523	nsp	R,CHIP THICK 100K-F,1/16W-1608REEL		C20001044M160S	1	
R527	nsp	R,CHIP THICK 82K-J,1/16W-1608REEL		C20008236M160S	1	
R529	nsp	R,CHIP THICK 100K-F,1/16W-1608REEL		C20001044M160S	1	
R533,534	nsp	R,CHIP THICK 4.7K-J,1/16W-1608REEL		C20004726M160S	2	
R535	nsp	R,CHIP THICK 10K-J,1/16W-1608REEL		C20001036M160S	1	
R538	nsp	R,CHIP THICK 10K-J,1/16W-1608REEL		C20001036M160S	1	
R541,542	00D2412399938	R,CARBON FILM 2.2K-J,1/5W-52RE-AX		C00002226P520S	2	
R556	nsp	R,CHIP THICK 0-J,1/16W-1608REEL		C20000006M160S	1	
R557	nsp	R,CHIP THICK 10K-J,1/16W-1608REEL		C20001036M160S	1	
R563	nsp	R,CHIP THICK 0-J,1/16W-1608REEL		C20000006M160S	1	
R564,565	nsp	R,CHIP THICK 47-J,1/10W-2012REEL		C200047060200S	2	*
R566	nsp	R,CHIP THICK 91K-F,1/16W-1608REEL		C20009134M161S	1	*
R567	nsp	R,CHIP THICK 300-F,1/16W-1608REEL		C20003014M160S	1	*
R568	nsp	R,CHIP THICK 360-F,1/16W-1608REEL		C20003614M160S	1	*
R569	nsp	R,CHIP THICK 0-F,1/16W-1608REEL		C20000004M160S	1	*
R570	nsp	R,CHIP THICK 0-J,1/16W-1608REEL		C20000006M160S	1	
CAPACITORS GROUP						
C400	963134503590S	C,ELECT GE 85C 6800UF-M/16V,18*35.5 RA2-16V682MK8 ELNA		D040682083220S	1	*
C402	963134503600S	C,ELECT GE 85C 2.2UF-M/50V,5*11 RA3-50V2R2ME3 ELNA		D0402R2087330S	1	*
C403	963134503610S	C,ELECT GE 85C 220UF-M/35V,16*25 RA3-35V222MJ6 ELNA		D040222085330S	1	*
C404	963134503590S	C,ELECT GE 85C 6800UF-M/16V,18*35.5 RA2-16V682MK8 ELNA		D040682083220S	1	*
C405	nsp	C,CERAMIC CHIP HIK X7R)0.1UF-K/25V-1608REEL		D011104774161S	1	
C407	nsp	C,CERAMIC CHIP HIK X7R)0.1UF-K/25V-1608REEL		D011104774161S	1	
C409,410	nsp	C,CERAMIC CHIP HIK X7R)0.1UF-K/25V-1608REEL		D011104774161S	2	
C411	963134503590S	C,ELECT GE 85C 6800UF-M/16V,18*35.5 RA2-16V682MK8 ELNA		D040682083220S	1	*
C412	nsp	C,CERAMIC CHIP HIK X7R)0.1UF-K/25V-1608REEL		D011104774161S	1	
C414-417	nsp	C,CERAMIC CHIP HIK X7R)0.1UF-K/25V-1608REEL		D011104774161S	4	
C418	963134503530S	C,ELECT GE 85C 220UF-M/16V,10*20 ROS-16V221MH5 ELNA		D040221083660S	1	*
C420,421	963134503530S	C,ELECT GE 85C 220UF-M/16V,10*20 ROS-16V221MH5 ELNA		D040221083660S	2	*
C423,424	963134503530S	C,ELECT GE 85C 220UF-M/16V,10*20 ROS-16V221MH5 ELNA		D040221083660S	2	*
C425-427	nsp	C,CERAMIC CHIP HIK X7R)0.1UF-K/25V-1608REEL		D011104774161S	3	
C428	963134503540S	C,ELECT GE 85C 100UF-M/25V,10*16 ROA-25V101MH4#PE ELNA		D040101084220S	1	*
C429	963134503620S	C,ELECT GE 85C 220UF-M/16V,6.3*11 RA3-16V221MF3#8P ELNA		D040221083330S	1	*
C430	963134503530S	C,ELECT GE 85C 220UF-M/16V,10*20 ROS-16V221MH5 ELNA		D040221083660S	1	*
C431,432	963134503630S	C,ELECT GE 85C 1000UF-M/35V,25*40 LKG1V102MESDZT NICHICON		D040102085560S	2	*
C433,434	00D2544574919	C,ELECT GE 85C 47UF-M/50V,6.3*11-5RE.SMS SY (Pb Free)		D040470087070S	2	
C435	nsp	C,CERAMIC CHIP HIK X7R)1UF-K/10V-1608REEL		D011105772161S	1	
C436	963134503550S	C,ELECT GE 85C 100UF-M/25V,10*16 ROS-25V101MH4 ELNA		D040101084660S	1	*
C437,438	nsp	C,CERAMIC CHIP HIK X5R)10UF-K/6.3V-1608REEL		D011106571160S	2	
C439	nsp	C,CERAMIC CHIP HIK X7R)1UF-K/10V-1608REEL		D011105772161S	1	
C440	nsp	C,CERAMIC CHIP HIK X5R)10UF-K/6.3V-1608REEL		D011106571160S	1	
C441	963134503550S	C,ELECT GE 85C 100UF-M/25V,10*16 ROS-25V101MH4 ELNA		D040101084660S	1	*
C442	nsp	C,CERAMIC CHIP HIK X7R)0.01UF-K/100V-1608REEL		D01110377C161S	1	
C445	nsp	C,CERAMIC CHIP HIK X7R)0.1UF-K/50V-1608REEL		D011104577160S	1	
C446	nsp	C,CERAMIC CHIP HIK X7R)0.01UF-K/100V-1608REEL		D01110377C161S	1	
C447	nsp	C,CERAMIC CHIP HIK X7R)0.01UF-K/50V-1608REEL		D011103777160S	1	
C448	nsp	C,CERAMIC CHIP HIK COG 1000PF-J/50V-1608REEL FENGHUA		D011102167161S	1	
C449	963134503550S	C,ELECT GE 85C 100UF-M/25V,10*16 ROS-25V101MH4 ELNA		D040101084660S	1	*
C450	nsp	C,CERAMIC CHIP HIK X7R)0.1UF-K/50V-1608REEL		D011104577160S	1	
C451	nsp	C,CERAMIC CHIP HIK X7R)0.01UF-K/50V-1608REEL		D011103777160S	1	
C452	nsp	C,CERAMIC CHIP HIK COG 1000PF-J/50V-1608REEL FENGHUA		D011102167161S	1	
C453	nsp	C,CERAMIC CHIP HIK X7R)0.1UF-K/50V-1608REEL		D011104577160S	1	
C455	nsp	C,CERAMIC CHIP HIK X7R)0.01UF-K/50V-1608REEL		D011103777160S	1	
C456	nsp	C,CERAMIC CHIP HIK COG 1000PF-J/50V-1608REEL FENGHUA		D011102167161S	1	
C457	nsp	C,CERAMIC CHIP HIK X7R)0.01UF-K/100V-1608REEL		D01110377C161S	1	
C458,459	nsp	C,CERAMIC CHIP HIK X7R)0.1UF-K/50V-1608REEL		D011104577160S	2	
C460,461	nsp	C,CERAMIC CHIP HIK X7R)0.01UF-K/50V-1608REEL		D011103777160S	2	

REF No.	Part No.	Part Name	Remarks		Q'ty	New	Ver
C462	nsp	C,CERAMIC CHIP HIK COG 1000PF-J/50V-1608REEL FENGHUA		D011102167161S	1		
C463	nsp	C,CERAMIC CHIP HIK X7R)0.1UF-K/50V-1608REEL		D011104577160S	1		
C464	nsp	C,CERAMIC CHIP HIK COG 1000PF-J/50V-1608REEL FENGHUA		D011102167161S	1		
C465	nsp	C,CERAMIC CHIP HIK X7R0.01UF-K/50V-1608REEL		D011103777160S	1		
C466,467	nsp	C,CERAMIC CHIP HIK X7R)0.1UF-K/50V-1608REEL		D011104577160S	2		
C468	nsp	C,CERAMIC CHIP HIK COG 1000PF-J/50V-1608REEL FENGHUA		D011102167161S	1		
C469,470	nsp	C,CERAMIC CHIP HIK X7R0.01UF-K/50V-1608REEL		D011103777160S	2		
C471	nsp	C,CERAMIC CHIP HIK COG 1000PF-J/50V-1608REEL FENGHUA		D011102167161S	1		
C472	nsp	C,CERAMIC CHIP HIK X7R)0.1UF-K/50V-1608REEL		D011104577160S	1		
C473	nsp	C,CERAMIC CHIP HIK COG 1000PF-J/50V-1608REEL FENGHUA		D011102167161S	1		
C474	nsp	C,CERAMIC CHIP HIK X7R0.01UF-K/50V-1608REEL		D011103777160S	1		
C475,476	nsp	C,CERAMIC CHIP HIK X7R)0.1UF-K/50V-1608REEL		D011104577160S	2		
C477	nsp	C,CERAMIC CHIP HIK X7R)0.01UF-K/100V-1608REEL		D01110377C161S	1		
C478	nsp	C,CERAMIC CHIP HIK COG 1000PF-J/50V-1608REEL FENGHUA		D011102167161S	1		
C479,480	nsp	C,CERAMIC CHIP HIK X7R0.01UF-K/50V-1608REEL		D011103777160S	2		
C481,482	nsp	C,CERAMIC CHIP HIK COG 1000PF-J/50V-1608REEL FENGHUA		D011102167161S	2		
C483	nsp	C,CERAMIC CHIP HIK X7R)0.1UF-K/50V-1608REEL		D011104577160S	1		
C484	nsp	C,CERAMIC CHIP HIK X7R)0.01UF-K/100V-1608REEL		D01110377C161S	1		
C485	nsp	C,CERAMIC CHIP HIK X7R)0.1UF-K/50V-1608REEL		D011104577160S	1		
C486	nsp	C,CERAMIC CHIP HIK X7R0.01UF-K/50V-1608REEL		D011103777160S	1		
C487	nsp	C,CERAMIC CHIP HIK X7R)0.1UF-K/50V-1608REEL		D011104577160S	1		
C488	nsp	C,CERAMIC CHIP HIK X7R0.01UF-K/50V-1608REEL		D011103777160S	1		
C489	nsp	C,CERAMIC CHIP HIK COG 1000PF-J/50V-1608REEL FENGHUA		D011102167161S	1		
C490	nsp	C,CERAMIC CHIP HIK X7R0.01UF-K/50V-1608REEL		D011103777160S	1		
C491	963134503550S	C,ELECT GE 85C 100UF-M/25V,10*16 ROS-25V101MH4 ELNA		D040101084660S	1	*	
C492,493	nsp	C,CERAMIC CHIP HIK COG 1000PF-J/50V-1608REEL FENGHUA		D011102167161S	2		
C494,495	nsp	C,CERAMIC CHIP HIK X7R)0.1UF-K/50V-1608REEL		D011104577160S	2		
C496,497	nsp	C,CERAMIC CHIP HIK X7R0.01UF-K/50V-1608REEL		D011103777160S	2		
C498,499	nsp	C,CERAMIC CHIP HIK COG 1000PF-J/50V-1608REEL FENGHUA		D011102167161S	2		
C500	nsp	C,CERAMIC CHIP HIK X7R)0.1UF-K/25V-1608REEL		D011104774161S	1		
C512	nsp	C,CERAMIC CHIP HIK X7R)0.01UF-K/100V-1608REEL		D01110377C161S	1		
C516	00D2544574919	C,ELECT GE 85C 47UF-M/50V,6.3*11 RA3-50V470MF3#8P-T2 ELNA	U, F	D040470087330S	1		
C518	nsp	C,CERAMIC CHIP HIK X7R)0.01UF-K/100V-1608REEL		D01110377C161S	1		
C519	nsp	C,CERAMIC CHIP HIK X7R)0.1UF-K/25V-1608REEL		D011104774161S	1		
C528	963134503640S	C,ELECT GE 85C 1000UF-M/16V,18*35L BLK SY		D040104083000S	1	*	
C530	nsp	C,CERAMIC CHIP HIK X5R)10UF-K/6.3V-1608REEL		D011106571160S	1		
C540	nsp	C,CERAMIC CHIP HIK COG 1000PF-J/50V-1608REEL FENGHUA		D011102167161S	1		
C547	nsp	C,CERAMIC CHIP HIK X7R)0.1UF-K/25V-1608REEL		D011104774161S	1		
C552	nsp	C,CERAMIC CHIP HIK X7R)0.01UF-K/100V-1608REEL		D01110377C161S	1		
C570	00D2544577945	C,ELECT GE 85C 100UF-M/16V,5*11 RA3-16V101ME3#8P ELNA		D040101083220S	1		
C571	963134503530S	C,ELECT GE 85C 220UF-M/16V,10*20 ROS-16V221MH5 ELNA		D040221083660S	1	*	
C574	nsp	C,CERAMIC CHIP HIK COG 1000PF-J/50V-1608REEL FENGHUA		D011102167161S	1		
C575	nsp	C,CERAMIC CHIP HIK X7R)0.1UF-K/25V-1608REEL		D011104774161S	1		
OTHER PARTS GROUP							
CN105	nsp	CN,WIRE 2MM 80MM/12P 20010HS-12=CKM2002HV-12 WH1007#26		L002800122620S	1	*	
CP122	nsp	CN.WAFER 2.5MM YMW025-08R DIP ST		L102025080020S	1		
CP123	nsp	CN.WAFER 2.5MM YMW025-03R DIP ST		L102025030020S	1		
CP126	nsp	CN.WAFER 2.0MM 20010WS-07A00 DIP7P STRAIGHT		L101200100710S	1		
CP127	nsp	CN,WIRE 2MM 80MM/9P 20010HS-09=CKM2002HV-09 WH1007#26		L002800092620S	1	*	
CP128	nsp	CN,WIRE 2MM 80MM/14P 20010HS-14=CKM2002HV-14 WH1007#26		L002800142620S	1	*	
CP129	nsp	CN,WIRE 2MM 60MM/6P 20010HS-06=CKM2002HV-06 WH1007#26		L002600062620S	1	*	
! F100	963644101960S	FUSE,MICRO 1.6A 250V SS-5 TIME DELAY RADIAL LEADED FUSE		G658162250050S	1		
! F101	963652500580S	FUSE,MICRO 3.15A 250V SS-5 TIME DELAY RADIAL LEADED FUSE		G658315250050S	1	*	
! F102	963652500590S	FUSE,MICRO 1A 250V SS-5 TIME DELAY RADIAL LEADED FUSE		G658102250050S	1	*	
! F103	963652500580S	FUSE,MICRO 3.15A 250V SS-5 TIME DELAY RADIAL LEADED FUSE		G658315250050S	1	*	
! F106,107	963652500590S	FUSE,MICRO 1A 250V SS-5 TIME DELAY RADIAL LEADED FUSE		G658102250050S	2	*	
GND138-141	nsp	TERMINAL MET37-0002/TAPIG EARTH FITTING		3790040886000S	4		
HS120	nsp	HEAT SINK U-05/JXEREG TR(15*40)HOLE=18		2120044398000S	1	*	
HS125	nsp	HEAT SINK RD8504(A GROUP) AL 6063 (A=22, H=16) A4/SUB		2120000818070S	1	*	
HS164	nsp	HEAT SINK P656(DOM) P656 AL6063 40MM/SUB		2120000818020S	1		
J102-104	nsp	CN,WIRE 1P JUMPER (0.6/52MM)		L045084006040S	3		
J111,112	nsp	R,CHIP THICK 0-J,1/8W-3216REEL		C200000061300S	2		
L151-157	nsp	FILTER,EMI YFF21PC1A105MT00 1UF CAP TYPE FILTER SMD2012 TDK		E470201221050S	7	*	
ST13	nsp	CLAMP HMX9800(ON)(HAITAI) (W=2.6,L=50)/WIRE(SOLDER)		4330000120000S	1		
★	nsp	HEAT SINK HEAT SINK REG TR(24X45)		2120044298010S	1		
★	nsp	SCREW,TAP TITE +2S 3*8 B-TYPE ZNW/BH		B020030081B10S	5		

EXPLODED

※Parts indicated by "nsp" on this table cannot be supplied.

※The parts listed below are only for maintenance. Therefore they might differ from the parts used in the unit in appearances or dimensions.

NOTE: The symbols in the column Remarks indicate the following destinations.

U : North America model N : Europe model K : China model F : Japan model

B : Black model SG : Silver Gold model

REF No.	Part No.	Part Name	Remarks		Q'ty	New	Ver
P1	nsp	PCB ASSY FRONT Split off from the AUDIO P.C.B TOTAL ASSY		7028077522040	1	*	
P2	nsp	PCB ASSY PHONE Split off from the AUDIO P.C.B TOTAL ASSY		7028077524040	1	*	
P3	nsp	PCB ASSY STANDBY Split off from the AUDIO P.C.B TOTAL ASSY		7028077523040	1	*	
P4	nsp	PCB ASSY POWER		7025HU1401032	1	*	
P5	963639102010S	PCB ASSY SMPS (U, F)	U, F	8208001150020S	1	*	
P5	963639102020S	PCB ASSY SMPS (N, K)	N, K	8208001150010S	1	*	
P6	nsp	PCB ASSY MAIN		7025HU1401030	1	*	
P7	nsp	PCB ASSY AUDIO Split off from the AUDIO P.C.B TOTAL ASSY		7028077521040	1	*	
P11	963189101480M	CY920 MODULE See PROCEDURE AFTER REPLACING THE MICROPROCESSOR, ETC..		8952600500060	1	*	4
P12	nsp	PCB GUIDE WI FI ANT Split off from the AUDIO P.C.B TOTAL ASSY		7028077525040	1	*	
P13	nsp	PCB GUIDE FFC Split off from the AUDIO P.C.B TOTAL ASSY		7028077526040	1	*	
1	963421006200M	BADGE MARANTZ		5630210678000S	1		
2	943416101110M	WINDOW		5077213733000S	1		
3	943411007050M	KNOB LEVEL BK	B	5087212981000S	1		2
3	00M24AW154120	KNOB LEVEL SG	SG	5087212981100S	1		
4	963402105230M	PANEL FRONT AL BK	B	3067216388000S	1		
4	963402105220M	PANEL FRONT AL SG	SG	3067216388010S	1		
5	943402105020M	PANEL SIDE L K1B	K1B	3067216401010S	1		
5	943402105010M	PANEL SIDE L U1B, N1B	U1B, N1B	3067216401000S	1		
5	943402105000M	PANEL SIDE L FN, N1SG	FN, N1SG	3067216401100S	1		
6	943402105040M	PANEL SIDE R BK	B	3067216411000S	1		
6	943402105030M	PANEL SIDE R SG	SG	3067216411100S	1		
7	nsp	SHEET LED		1210212822000S	1		
8	nsp	PANEL SUB BK	B	3067216391000S	1		
8	nsp	PANEL SUB SG	SG	3067216391100S	1		
9	963481006080M	LENS POWER LED		3710210873000S	1		
10	411510021005M	BUTTON POWER BK	B	5090213961000S	1		
10	963411012000M	BUTTON POWER SG	SG	5097213961100S	1		
11	943412101310M	CURSOR BUTTON ASSY L BK	B	5098215568000S	1		
11	943412101300M	CURSOR BUTTON ASSY L SG	SG	5098215568020S	1		
12	943412101330M	BUTTON ASSY L BK	B	5098215558000S	1		
12	943412101320M	BUTTON ASSY L SG	SG	5098215558020S	1		
13	943411103260M	BUTTON INPUT BK	B	5090215531000S	1		
13	943411103250M	BUTTON INPUT SG	SG	5097215531100S	1		
14	943411103280M	CURSOR BUTTON ASSY R BK	B	5098215568010S	1		
14	943411103270M	CURSOR BUTTON ASSY R SG	SG	5098215568030S	1		
15	943411103300M	BUTTON ASSY R BK	B	5098215558010S	1		
15	943411103290M	BUTTON ASSY R SG	SG	5098215558030S	1		
16	nsp	CHASSIS FRONT		3200215156000S	1	*	
17	nsp	BRACKET FRONT		4010214156000S	1		
18	nsp	CHASSIS MAIN		3200215166000S	1	*	
19	nsp	PLATE BOTTOM		4470212966000S	1	*	
20	00M243W057210	FOOT		4007210841000S	4		
21	00M32CW107010	CUSHION FOOT		4050215585000S	4		
22	nsp	HOLDER PCB		4320211461000S	2		
23	nsp	HOLDER PCB		4320211451000S	7		
24	nsp	COVER SCREW		4310216396000S	1		
25	nsp	CHASSIS BACK	K1B	3207215146010S	1	*	
25	nsp	CHASSIS BACK	U1B	3207215146000S	1	*	
25	nsp	CHASSIS BACK	SG	3207215146020S	1	*	
25	nsp	CHASSIS BACK	N1SG	3207215146100S	1	*	
26	401310003002M	CABINET TOP BK	B	3007211466100S	1	*	
26	401310003033M	CABINET TOP SG	SG	3007211466110S	1	*	
27	nsp	CUSHION MAIN PCB		4050215695000S	1	*	
28	nsp	SHEET HOLDER CAS		1210212819000S	3	*	
29	nsp	TOOTHED WASHER		1530210126000S	1		
30	nsp	CLAMPER WIRE		4330000310000S	2		
31	nsp	FELT(10*30)		2690210319000S	2	*	
32	nsp	SHEET TOP		1210211362000S	1		
33	nsp	TAPE ACETATE		1220210059200S	1	*	
! P8	963101102700M	TRANS POWER K	K1B	8200660350140S	1	*	
! P8	963101102680M	TRANS POWER U	U1B	8200660350120S	1	*	
! P8	963101102690M	TRANS POWER F	F	8200660350110S	1	*	
! P8	963101102670M	TRANS POWER N	N1SG	8200660350130S	1	*	
! P9	963641500500S	AC INLET		G430040560021S	1		
S1	nsp	SCREW(+2S 3X8 B-TYPE DOT CU/BH)		B020030086B11S	17	*	
S2	nsp	SCREW(+2S 3X8 B-TYPE CU/BH)		B020030086B10S	34	*	
S3	nsp	SCREW(+2S 3X8 B-TYPE ZNW/BH)		B020030081B10S	30		
S4	nsp	SCREW(+3S 4X6 B-TYPE ZNW/BH)		B020740061B10S	4		
S5	nsp	SCREW(+2S 3X12 ZNW/BH)		B020030121B10S	2	*	
S6	nsp	SCREW(+2S 3X18 ZNW/BH)		B020030181B10S	7		
S7	nsp	SCREW(+2S 3X8 PI7.2 WASHER BK/BH) BK	B	B028130083B10S	6	*	
S7	nsp	SCREW(+2S 3X8 PI7.2 WASHER NI/BH) SG	SG	B028130084B10S	6	*	
S8	nsp	SCREW(+3S 3X8 BK/BH)		B020930083B10S	1		
S9	nsp	SCREW(+2S 2X6 BK/BH)		B020020061B10S	2		
S10	nsp	SCREW(+2S 3*8 PI7.2 B-TYPE WASHER BH/CU)		B028130086B10S	1	*	
★	963606502740S	CABLE,FLAT CARD 1.0MM 1.0*27*250*A(4/4/8/8)*(0.035*0.65)		N711272512480S	1	*	
★	963179100040S	DISPLAY,LED MXS4035A OLED		K531040350010S	1		
★	963613100410S	CABLE ASSY 300MM RF CABLE ASSEMBLY RFCBA100630SA6B301		L308301010030S	2	*	

PACKING

※Parts indicated by "nsp" on this table cannot be supplied.

※The parts listed below are only for maintenance. Therefore they might differ from the parts used in the unit in appearances or dimensions.

NOTE:The symbols in the column Remarks indicate the following destinations.

U : North America model N : Europe model K : China model F : Japan model

B : Black model SG : Silver Gold model

REF No.	Part No.	Part Name	Remarks		Q'ty	New	Ver
1	963533102890M	CUSHION SNOW FRONT TOP		6230213884000S	1	*	
2	963533102910M	CUSHION SNOW FRONT BOTTOM		6230213894000S	1	*	
3	963533102900M	CUSHION SNOW REAR TOP		6230213904000S	1	*	
4	963533102920M	CUSHION SNOW REAR BOTTOM		6230213914000S	1	*	
5	nsp	SET PE SHEET		6327040059000S	1		
6	nsp	POLYBAG		6330210812000S	1		
7	nsp	POLYBAG		6337040062010S	1		
8	nsp	YELLOW TAPE		1220211609000S	1		
9	nsp	POLYBAG		6330210789000S	1		
10	nsp	CORD RCA CABLE 500MM/1P RCA		L063501010020S	1		
11	nsp	CORD RCA CABLE 1200MM/2P RCA		L063122020020S	1	*	
12	54111125202AM	INSTRUCTION MANUAL	K	5707000009830S	1	*	
12	54111125203AM	INSTRUCTION MANUAL	F	5707000009840S	1	*	
12	54111125200AM	INSTRUCTION MANUAL	U	5707000009810S	1	*	
12	54111125201AM	INSTRUCTION MANUAL	N	5707000009820S	1	*	
13	54111125100AM	DISC CD	K	6517000002100S	1	*	
13	35201037200AM	DISC CD	U	6517000002080S	1	*	
13	35201037201AM	DISC CD	N	6517000002090S	1	*	
14	nsp	POLY BAG		6330210719000S	1		2
15	30701020400AM	REMOCON		8300004000010S	1	*	2
16	nsp	BATTERY, DRY		G670001R50242S	1		
17	963531104740M	BOX GIFT		6007212910000S	1	*	
18	nsp	SHHET SAFTEY	K	5227000003460S	1	*	
18	nsp	SHHET SAFTEY	F	5227000003470S	1	*	
18	nsp	SHHET SAFTEY	U	5227000003440S	1	*	
18	nsp	SHHET SAFTEY	N	5227000003450S	1	*	
19	nsp	SHEET FLY(FOR ANTENNA)		5227000003480S	1	*	
20	11601005400AS	ANTENNA, ROD		E600000020010S	2	*	
21	nsp	WARRANTY CARD	K	572700000302S	1	*	
21	nsp	WARRANTY CARD	F	5777200120043S	1		
22	nsp	CARD PASS	K	5777000000020S	1		
23	nsp	LABEL Q PLAY	K	5507000017910S	1	*	
23	nsp	LABEL Q PLAY	N	5507000017900S	1	*	
24	nsp	LABEL CONTROL		-	1		
25	nsp	LABEL COLOR	SG	5507000004600S	1		
26	35201037202AM	INSTRUCTION MANUAL	F	5707000009850S	1	*	
27	nsp	SHEET ADDRESS	F	5227000000067S	1	*	
28	nsp	SHEET NOTE ON RADIO		5227000003490S	1	*	
29	nsp	WARRANTY CARD	U	5727000000112S	1		
30	nsp	WARRANTY CARD	U	5727041650142S	1		
! 31	90M-ZC000330R	AC CORD ASSY (K)	K	L068250100150S	1		
! 31	943611011630S	AC CORD ASSY (F)	F	L068125120190S	1		
! 31	90M-ZC000310R	AC CORD ASSY (U)	U	L068125130020S	1		
! 31	90M-ZC000320R	AC CORD ASSY (N)	N	L068250160120S	1		
32	nsp	PACKING TAPE		1220210772000S	1		
33	963116100560S	AM ANTTENA	U, F	E601019000050S	1		
34	963116100550S	FM ANTTENA	U, F	E605010140050S	1		